

부천대학교

<꿈집_라운지>

2021.06

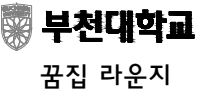


서울시 송파구 백제고분로 50길 8, 북명빌딩 3층
T : 02-472-0451 / F : 02-472-0452

■ DRAWING LIST

SHEET NO.	DRAWING NO.	NAME OF DRAWING	SCALE(A3)	REMARK	SHEET NO.	DRAWING NO.	NAME OF DRAWING	SCALE(A3)	REMARK
GENERAL LIST									
001	L-000	COVER	NONE						
002	L-001	DRAWING LIST	NONE						
PLAN									
003	P-001	9F,11F,13F - FLOOR PLAN	1/40						
004	P-002	9F,11F,13F - CEILING PLAN	1/40						
005	P-003	9F,11F,13F - ELEVATION A,B	1/40						
006	P-004	9F,11F,13F - ELEVATION C,C'	1/40						
007	P-005	9F,11F,13F - 바테이블	1/15						
008	P-006	10F,12F - FLOOR PLAN	1/40						
009	P-007	10F,12F -CEILING PLAN	1/40						
010	P-008	10F,12F - ELEVATION A,B	1/40						
011	P-009	10F,12F - ELEVATION C,C'	1/40						

PROJECT TITLE



NOTE



DRAWN BY
CHECKED BY
APPROVED BY



DRAWING NAME

DRAWING LIST

SCALE NONE

DATE 2021.06

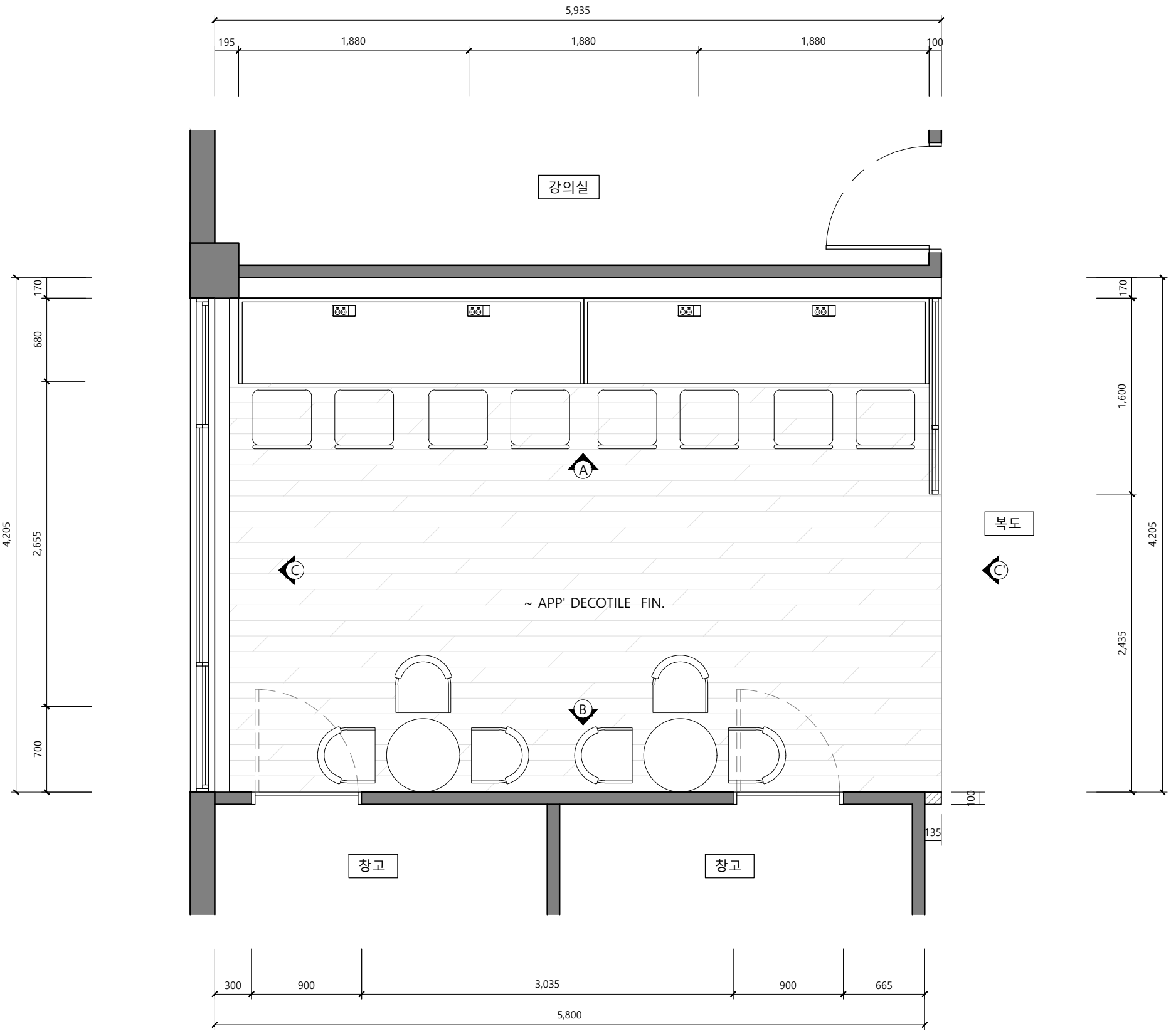
PROJECT NO.

DRAWING NO. L-001

SHEET NO. 002

AREA : 25 m² / 7.6 py
CH : 2,855 mm

NOTE



DRAWN BY
CHECKED BY
APPROVED BY



DRAWING NAME
9F,11F,13F
FLOOR PLAN

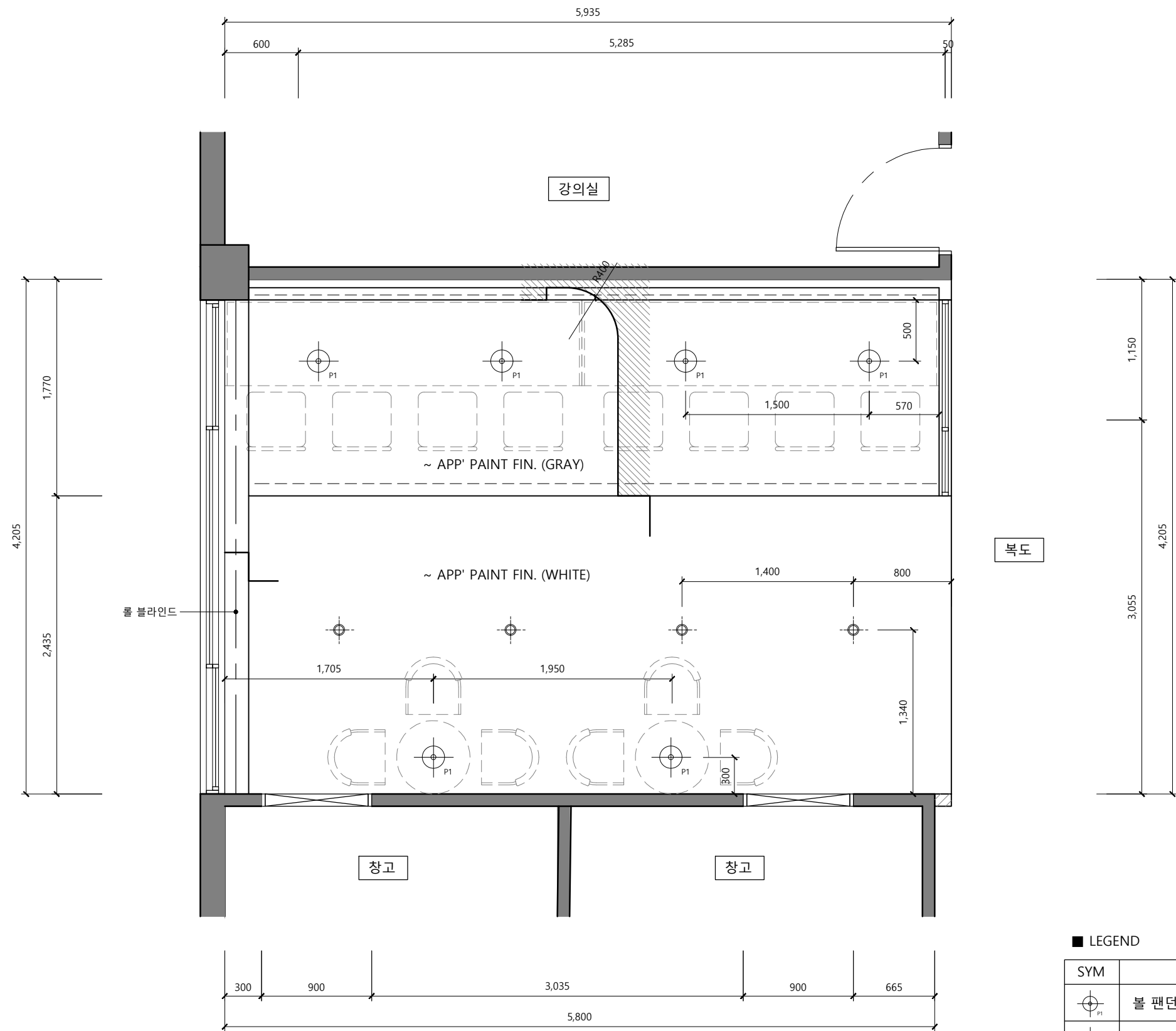
SCALE
1/40

DATE
2021.06

PROJECT NO.

DRAWING NO.
P-001

SHEET NO.
003



복도

창고

창고

■ LEGEND

SYM	NAME	EA	Code
⊙ _{P1}	볼 팬던트	4	LT-01
⊙ _{P2}	갓 팬던트	2	LT-02
⊙	6" 매입등	4	LT-03
---	LED bar	-	LT-04

△6	
△5	
△4	
△3	
△2	

DRAWN BY
CHECKED BY
APPROVED BY



DRAWING NAME
9F,11F,13F
CEILING PLAN

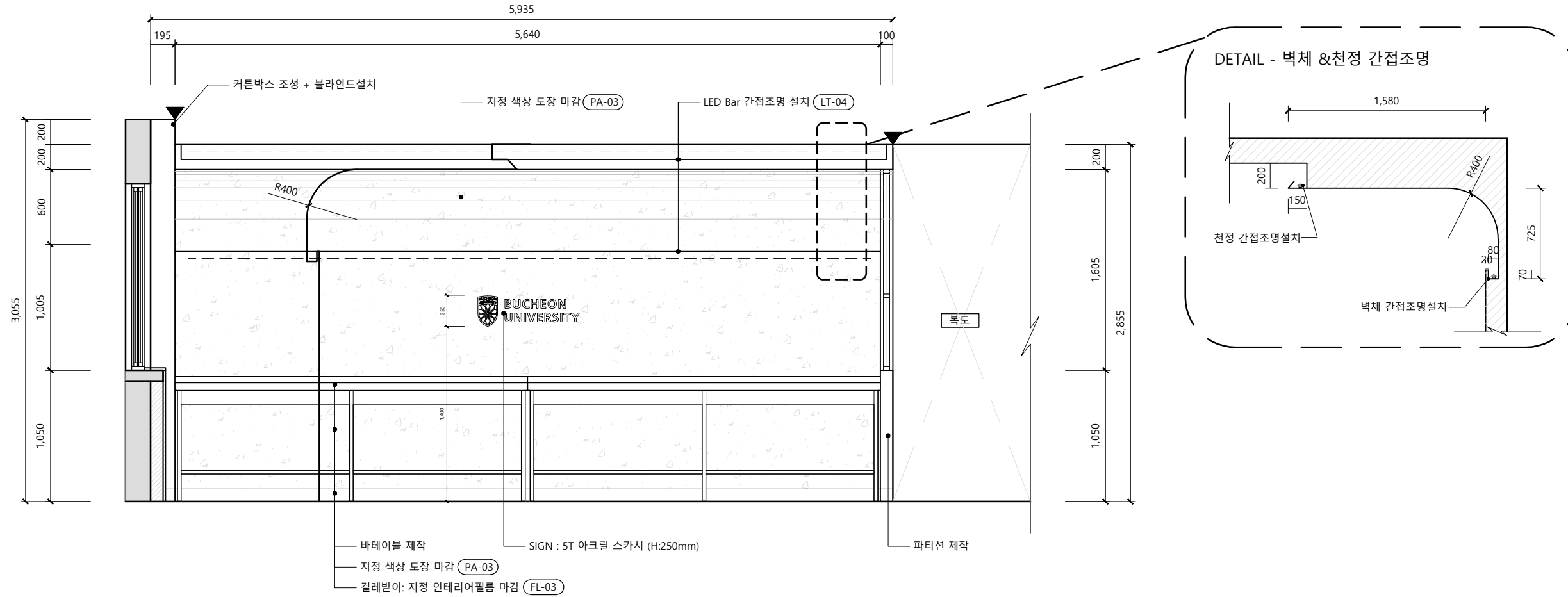
SCALE
1/40

DATE
2021.06

PROJECT NO.

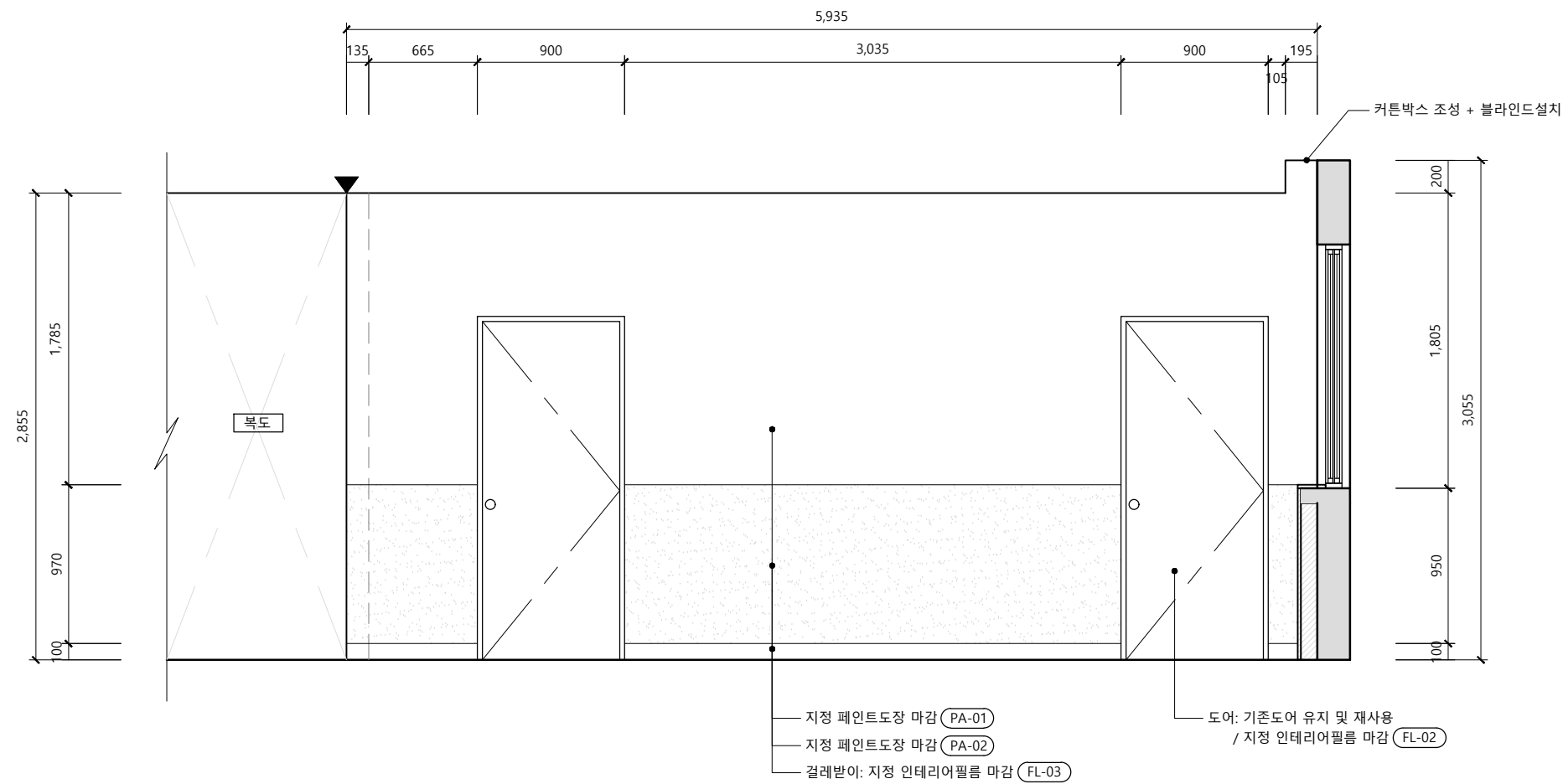
DRAWING NO.
P-002

SHEET NO.
004



ELEVATION - A

SCALE
1 / 40



ELEVATION - B

SCALE
1 / 40

DRAWN BY
CHECKED BY
APPROVED BY



DRAWING NAME
9F,11F,13F
ELEVATION A,B

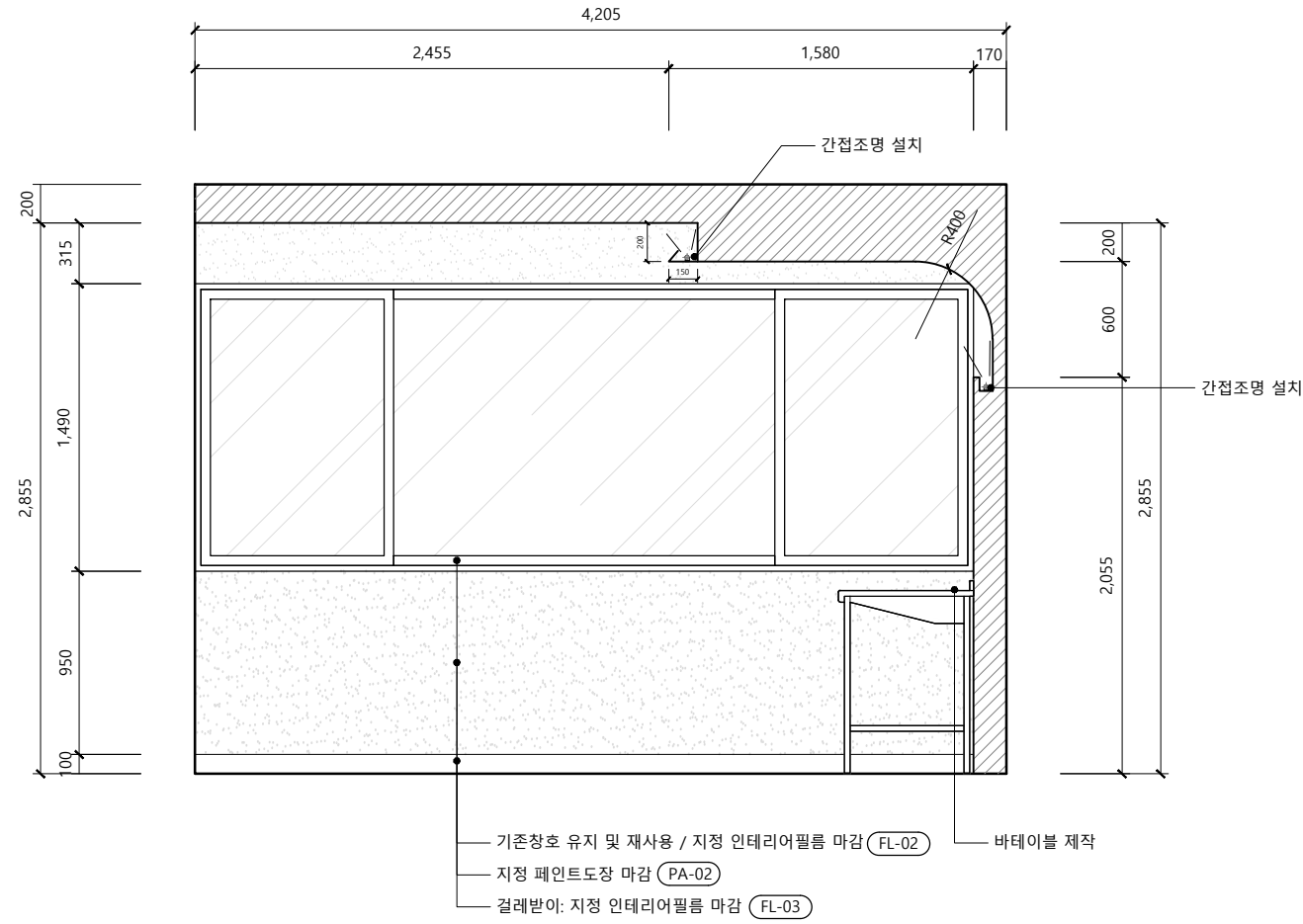
SCALE
1/40

DATE
2021.06

PROJECT NO.

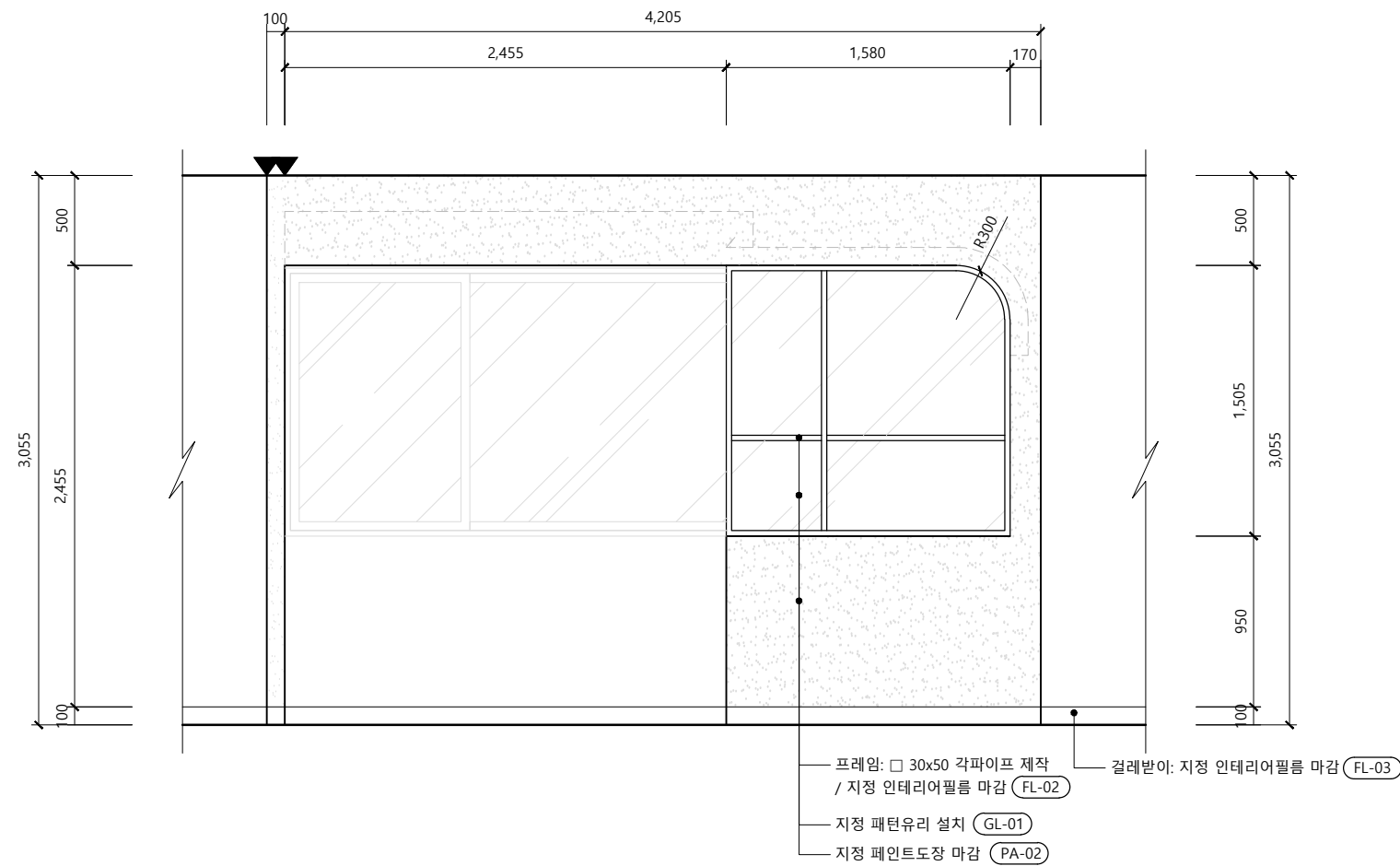
DRAWING NO.
P-003

SHEET NO.
005



ELEVATION - C

SCALE
1 / 40



ELEVATION - C'

SCALE
1 / 40

DRAWN BY
CHECKED BY
APPROVED BY



DRAWING NAME
9F,11F,13F
ELEVATION C,C'

SCALE
1/40

DATE
2021.06

PROJECT NO.

DRAWING NO.
P-004

SHEET NO.
006

수량: 2EA

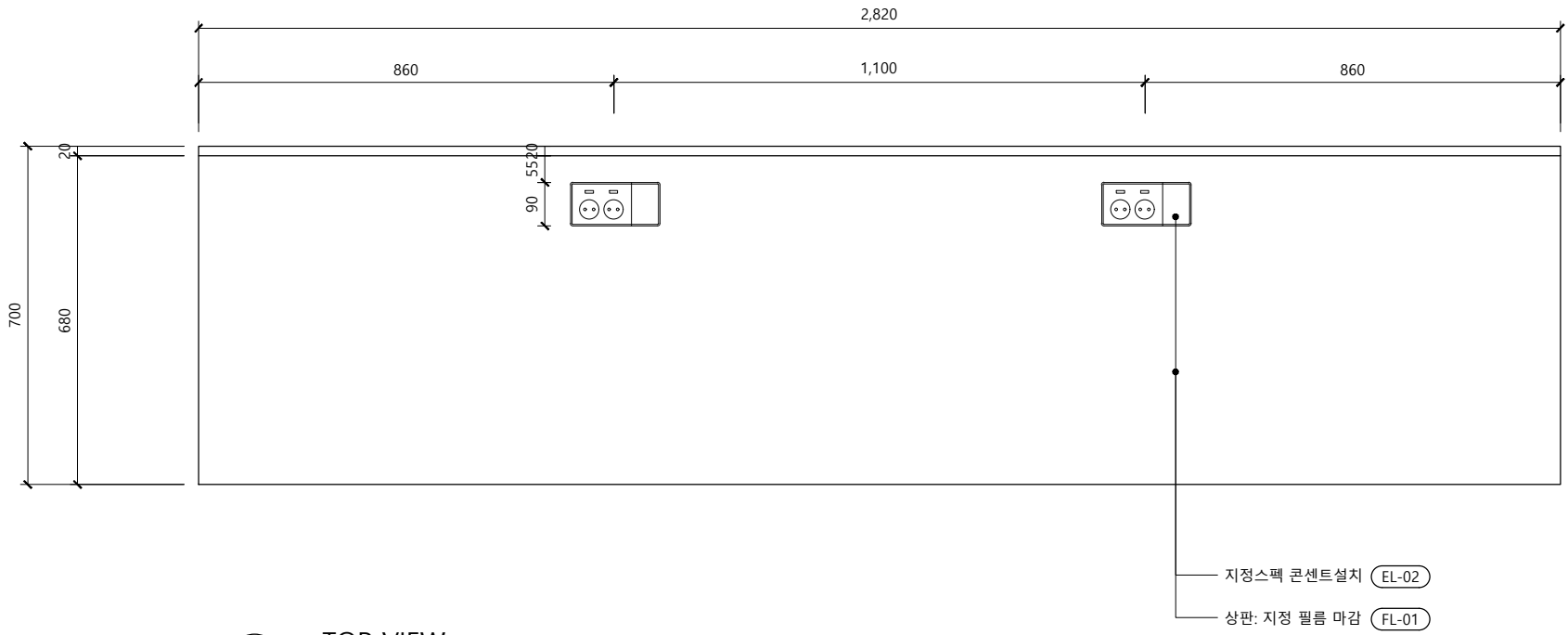


■ 무선충전 콘센트 스펙

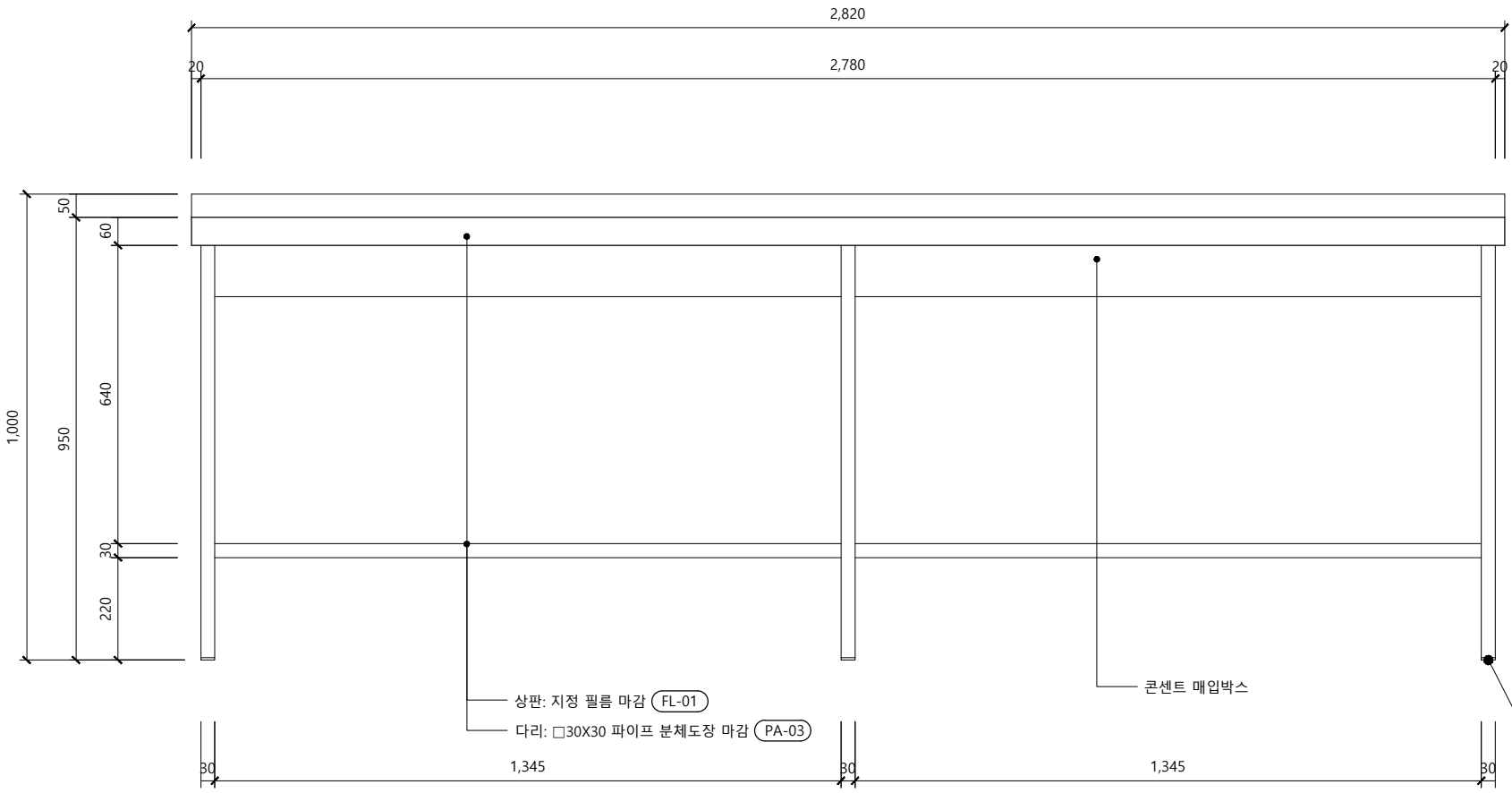
PROJECT TITLE

부천대학교
꿈집 라운지

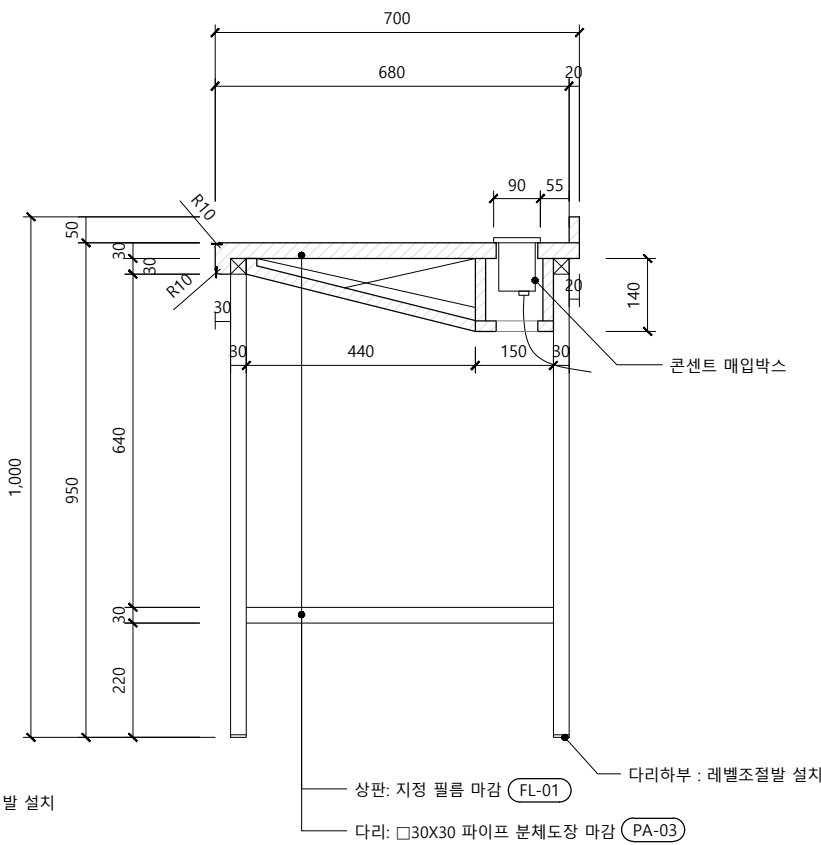
NOTE



TOP VIEW
SCALE : 1/15



FRONT VIEW
SCALE : 1/15



SIDE SECTION
SCALE : 1/15

DRAWN BY

CHECKED BY

APPROVED BY



DRAWING NAME

바테이블

SCALE

1/15

DATE

2021.06

PROJECT NO.

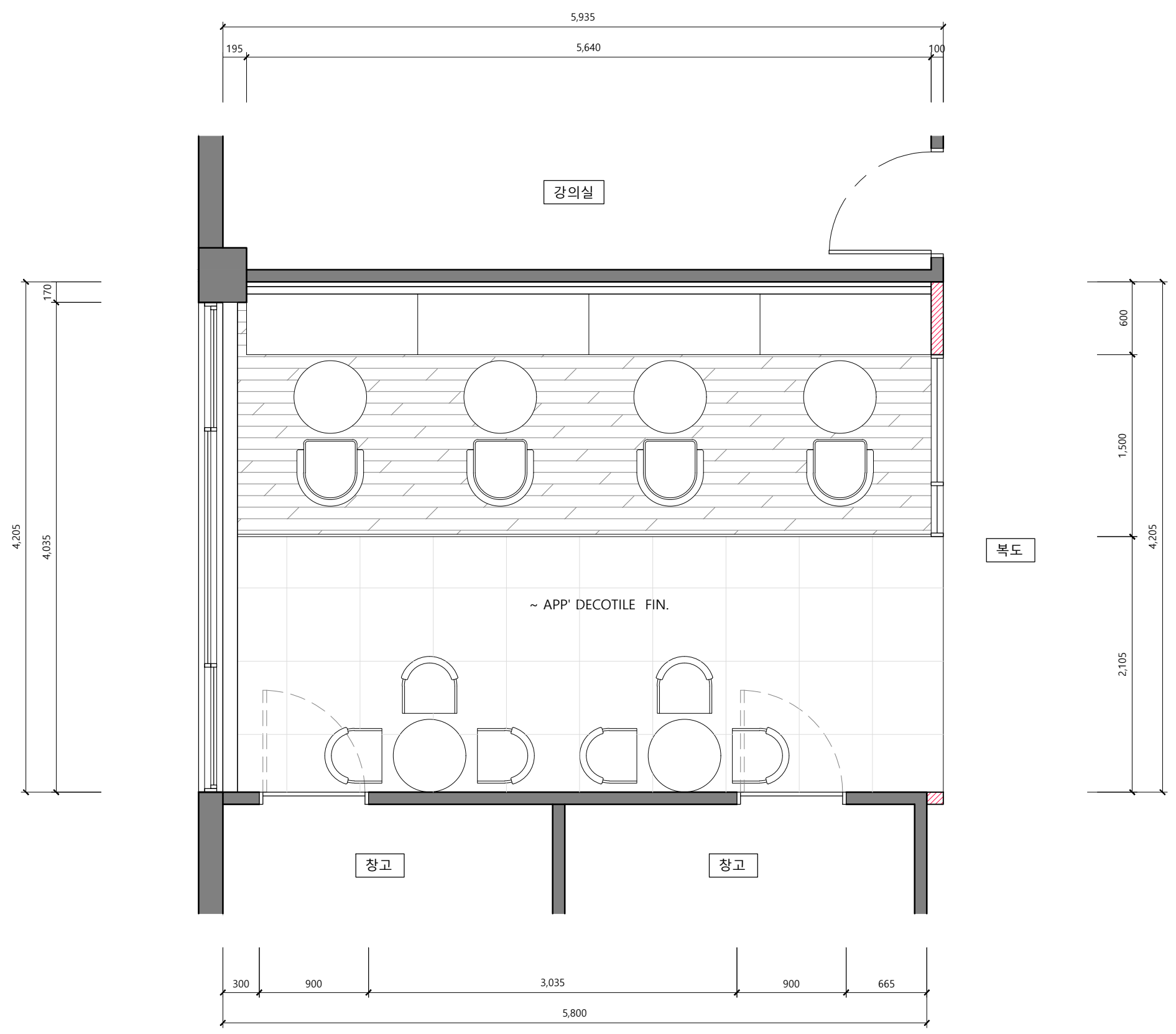
DRAWING NO.

P-005

SHEET NO.

007

AREA : 25 m² / 7.6 py
 CH : 2,855 mm



PROJECT TITLE

부천대학교
 꿈집 라운지

NOTE

DRAWN BY
 CHECKED BY
 APPROVED BY



DRAWING NAME
**10F,12F
 FLOOR PLAN**

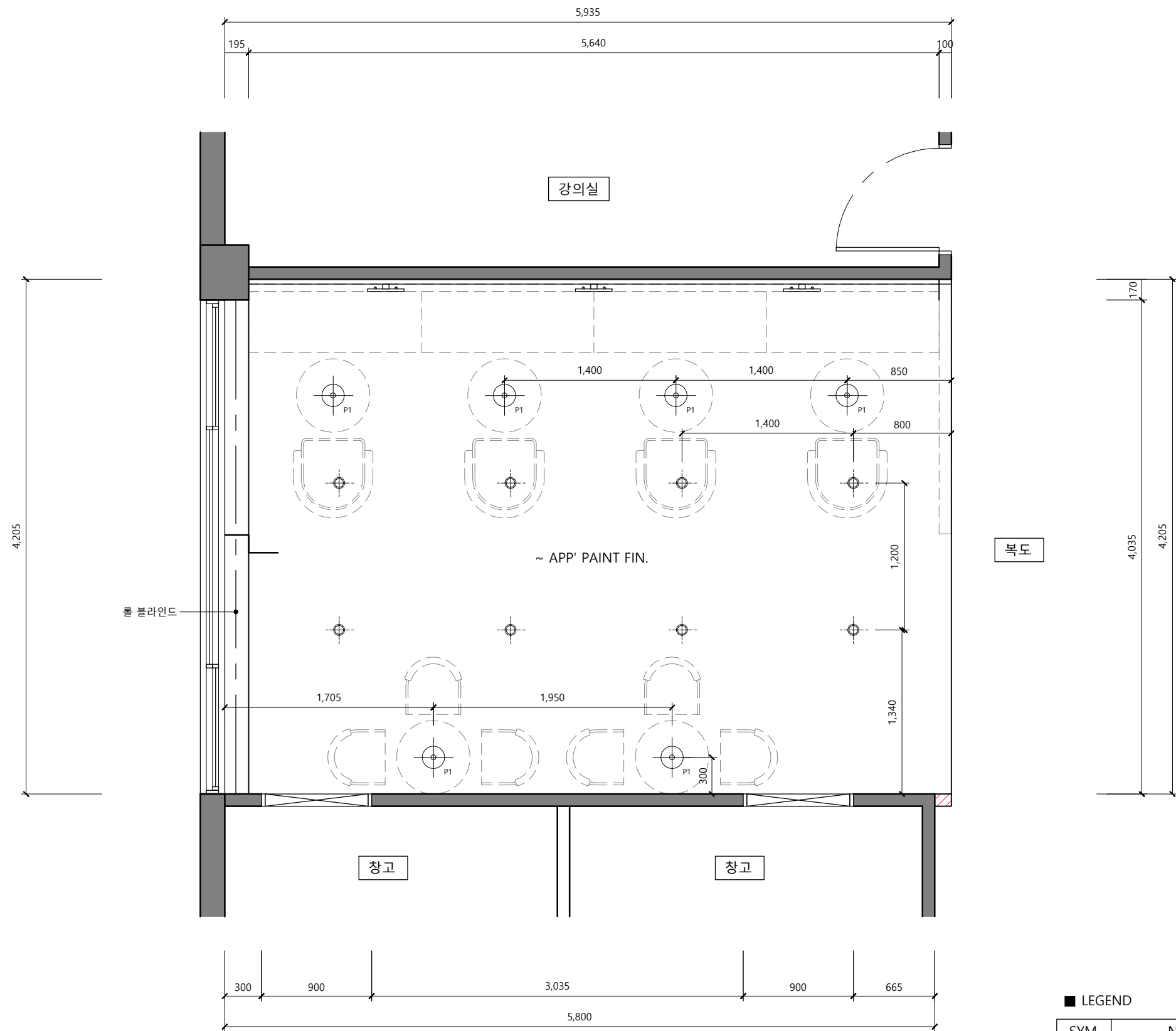
SCALE
 1/40

DATE
 2021.06

PROJECT NO.

DRAWING NO.
 P-006

SHEET NO.
 008



■ LEGEND

SYM	NAME	EA	Code
	라운드 벽등	3	LT-01
	갓 팬던트	6	LT-02
	6" 매입등	4	LT-03

DRAWN BY
CHECKED BY
APPROVED BY



DRAWING NAME
10F,12F
CEILING PLAN

SCALE
1/40

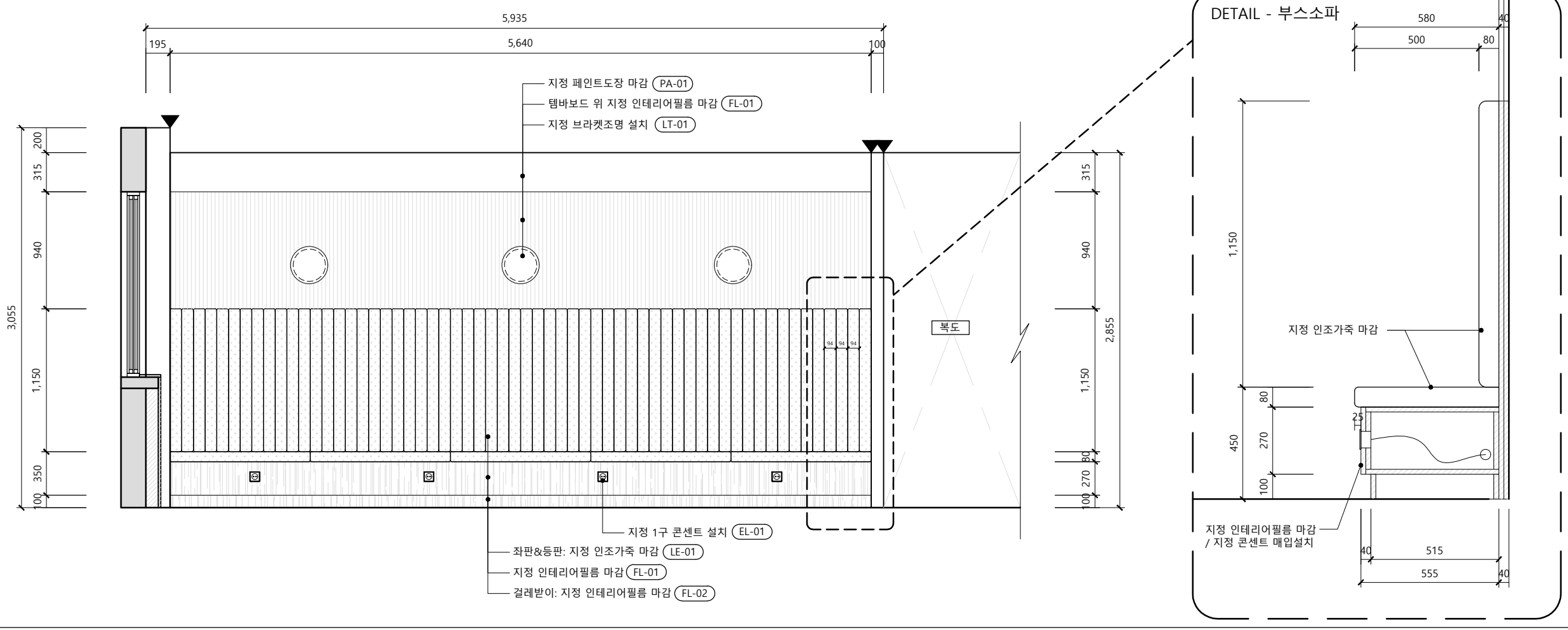
DATE
2021.06

PROJECT NO.

DRAWING NO.
P-007

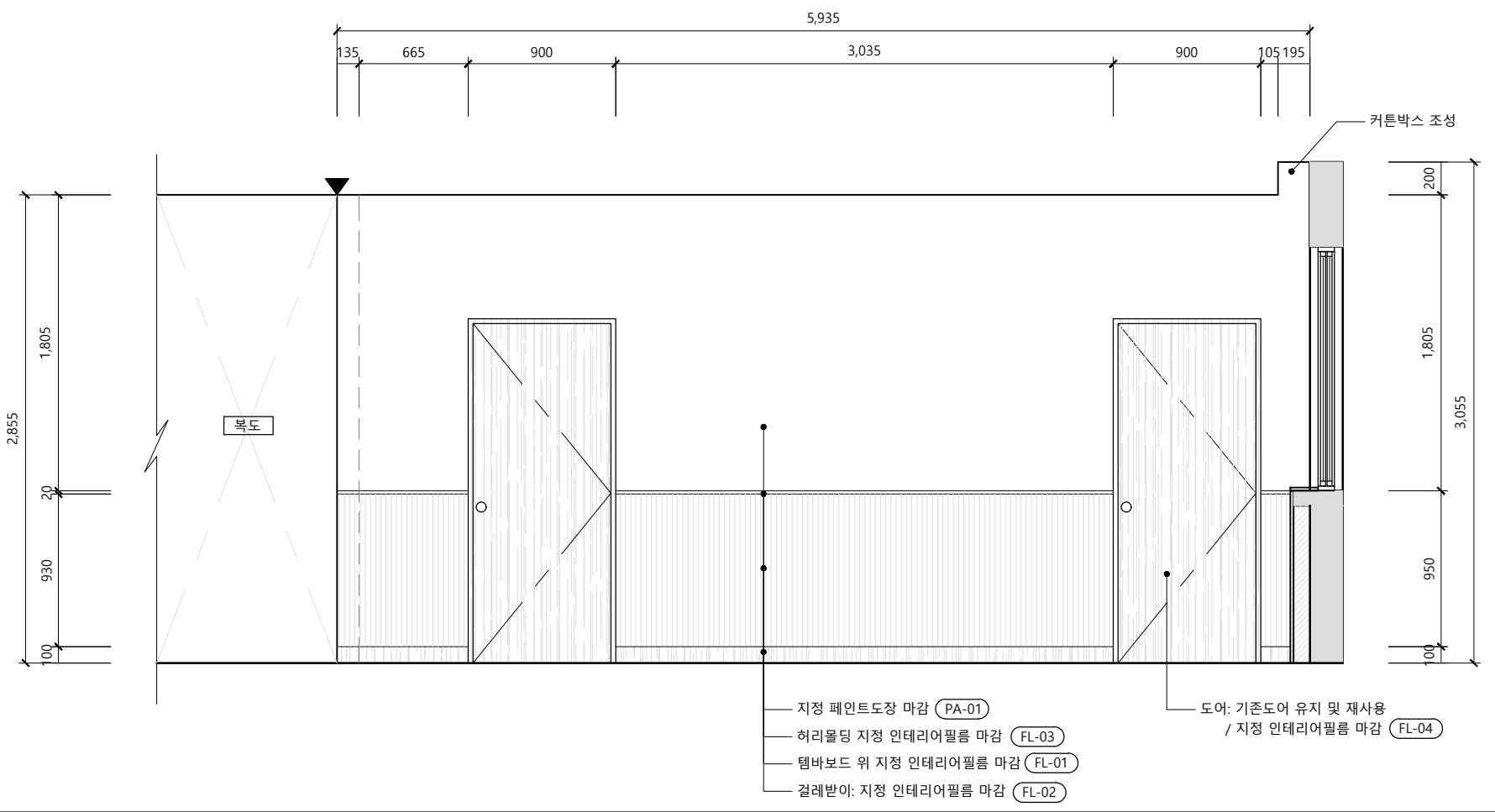
SHEET NO.
009

NOTE



ELEVATION - A

SCALE
1 / 40



ELEVATION - B

SCALE
1 / 40

DRAWN BY
CHECKED BY
APPROVED BY



DRAWING NAME
10F,12F
ELEVATION A,B

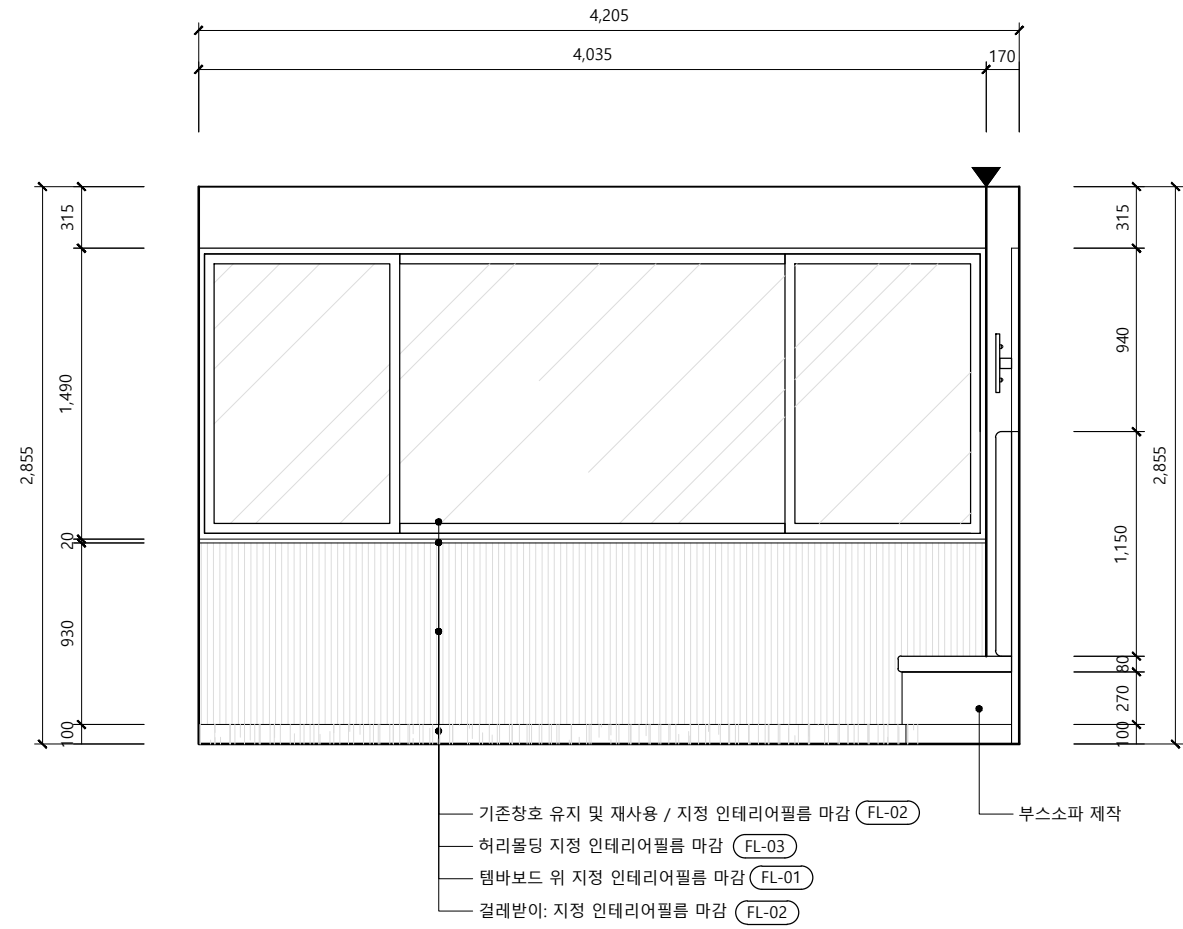
SCALE
1/40

DATE
2021.06

PROJECT NO.

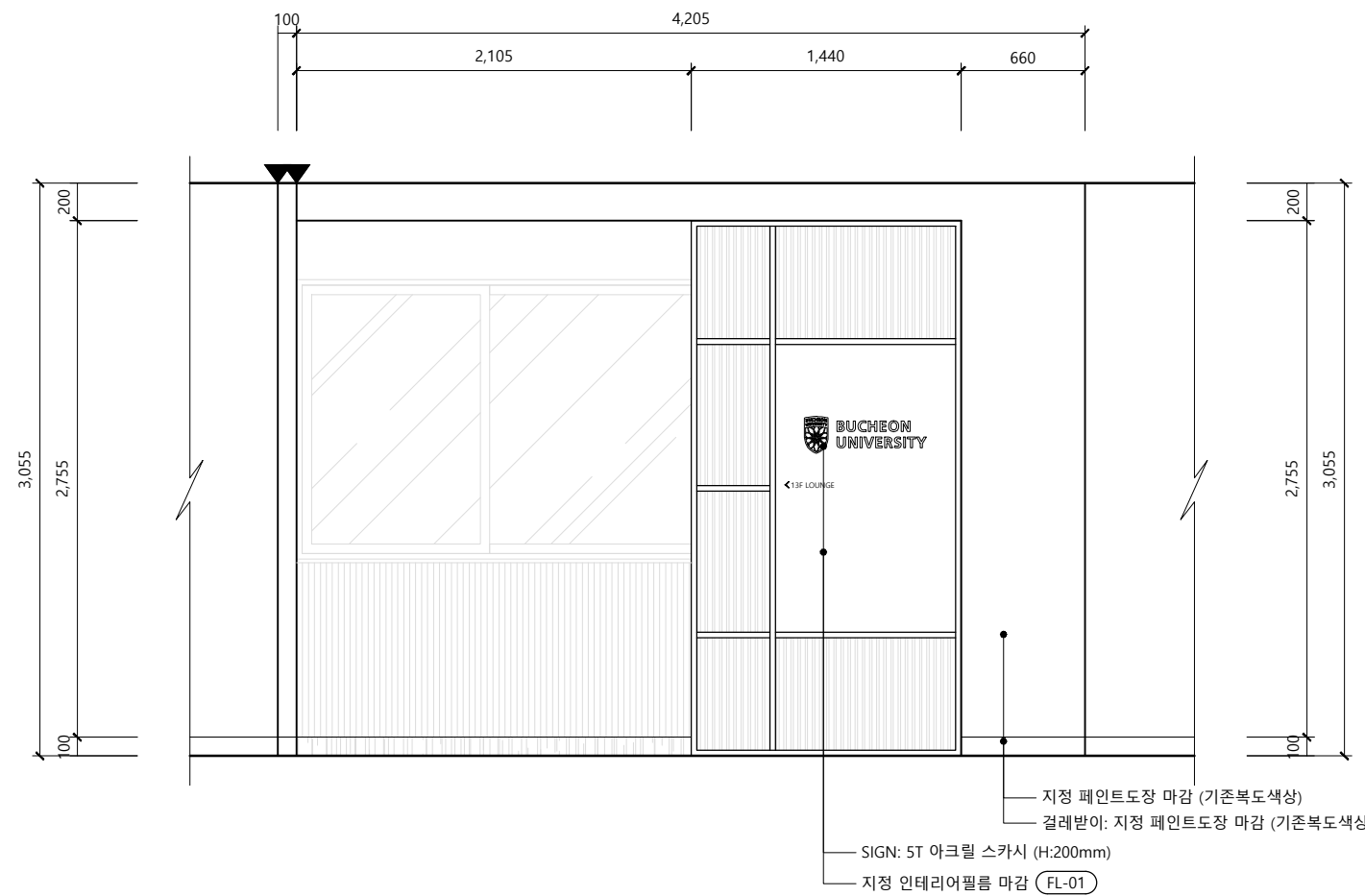
DRAWING NO.
P-008

SHEET NO.
010



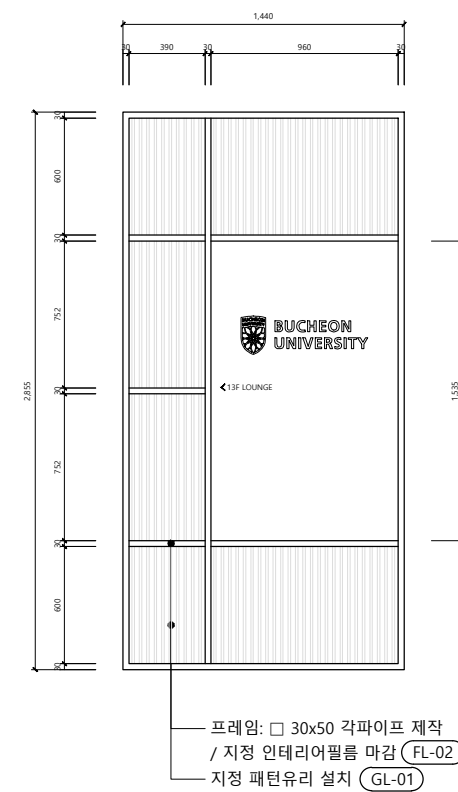
ELEVATION - C

SCALE
1 / 40



ELEVATION - C'

SCALE
1 / 40



파티션 상세도

SCALE
1 / 40

DRAWN BY
CHECKED BY
APPROVED BY



DRAWING NAME
10F,12F
ELEVATION C,C'

SCALE
1 / 40

DATE
2021.06

PROJECT NO.

DRAWING NO.
P-009

SHEET NO.
011

부천대학교

<소사캠퍼스_라운지>

2021.06



서울시 송파구 백제고분로 50길 8, 북명빌딩 3층
T : 02-472-0451 / F : 02-472-0452

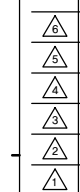
■ DRAWING LIST

SHEET NO.	DRAWING NO.	NAME OF DRAWING	SCALE(A3)	REMARK	SHEET NO.	DRAWING NO.	NAME OF DRAWING	SCALE(A3)	REMARK
GENERAL LIST									
001	L-000	COVER	NONE						
002	L-001	DRAWING LIST	NONE						
PLAN									
003	P-001	9F, 11F - FLOOR PLAN	1/80						
004	P-002	9F, 11F - ELEVATION (이미지월)	1/30						
005	P-003	9F, 11F - 이미지월 부스소파	1/15						
006	P-004	9F, 11F - 바테이블	1/15						
007	P-005	9F, 11F - 빅테이블	1/15						
008	P-006	9F, 11F - 파티션	1/15						
009	P-007	9F, 11F - 부스소파 (파티션)	1/30						
010	P-008	9F, 11F - 부스소파	1/30						
011	P-009	10F - FLOOR PLAN	1/80						
012	P-010	10F - CEILING PLAN	1/80						
013	P-011	10F - ELEVATION (이미지월)	1/30						
014	P-012	10F - 바테이블	1/15						
015	P-013	10F - 파티션	1/15						

PROJECT TITLE

부천대학교
디지털 스페이스

NOTE



DRAWN BY
CHECKED BY
APPROVED BY



DRAWING NAME
DRAWING LIST

SCALE
NONE

DATE
2021.03

PROJECT NO.

DRAWING NO.
L-001

SHEET NO.
002

DRAWN BY
CHECKED BY
APPROVED BY



DRAWING NAME
10F , 11F
FLOOR PLAN

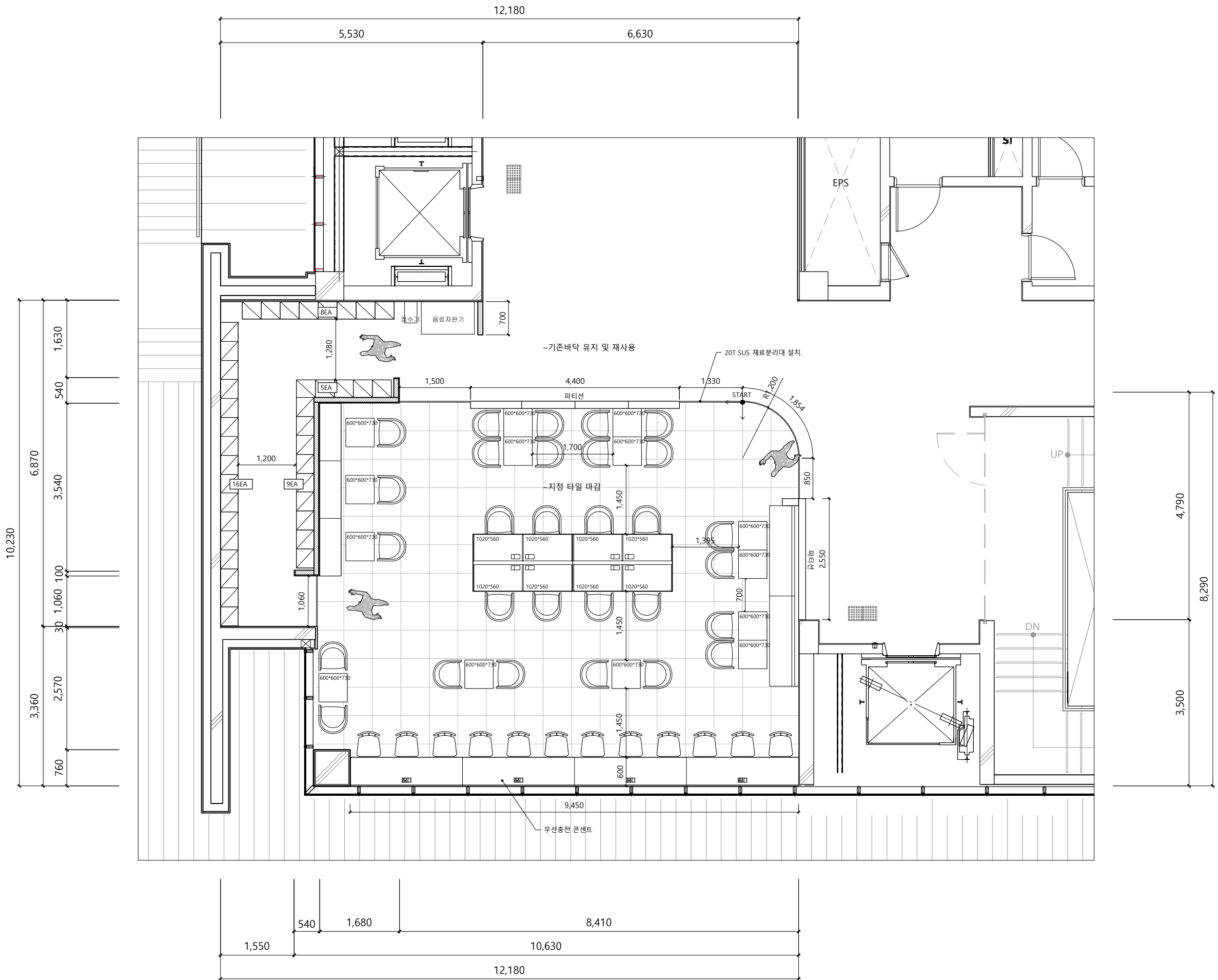
SCALE
1/80

DATE
2021.06

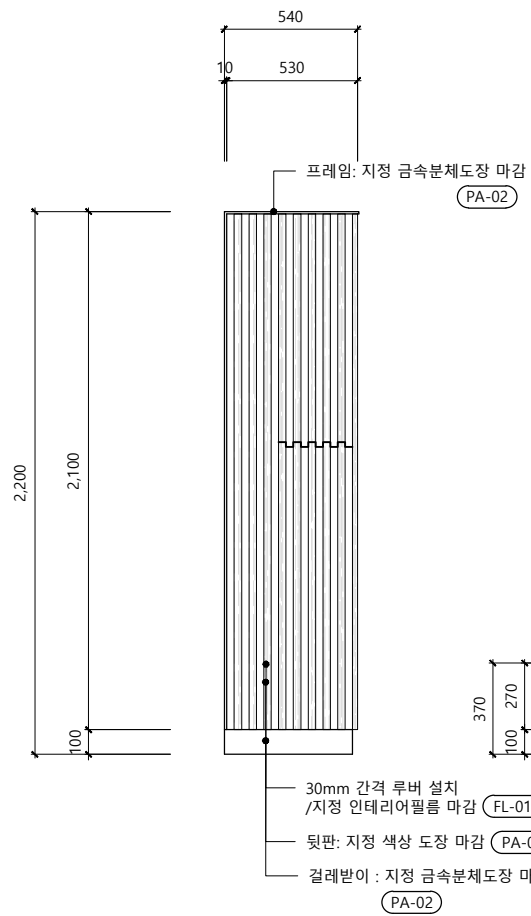
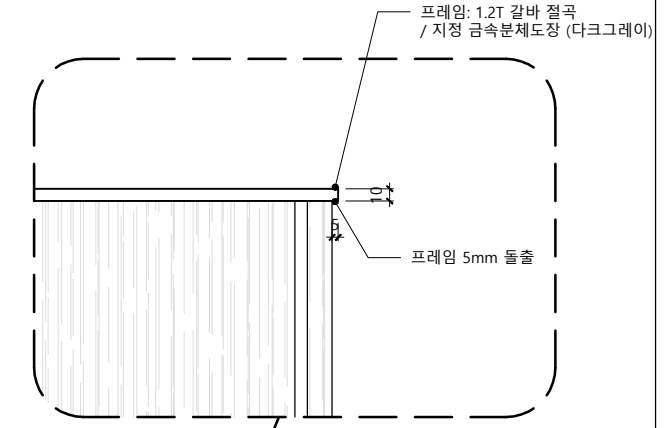
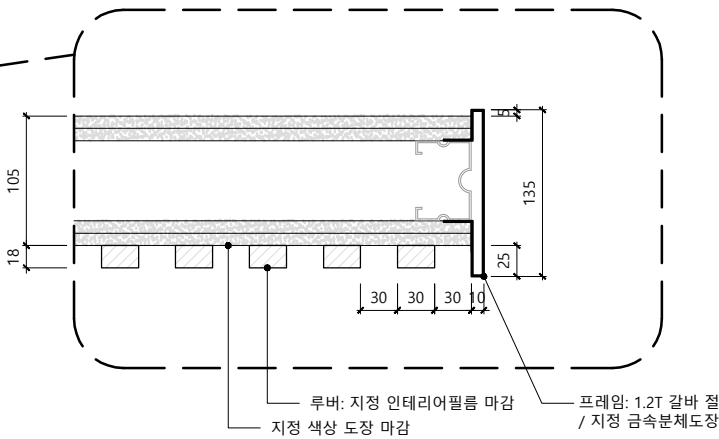
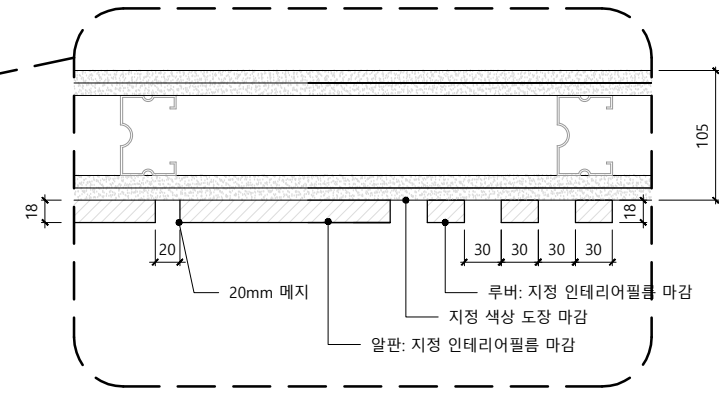
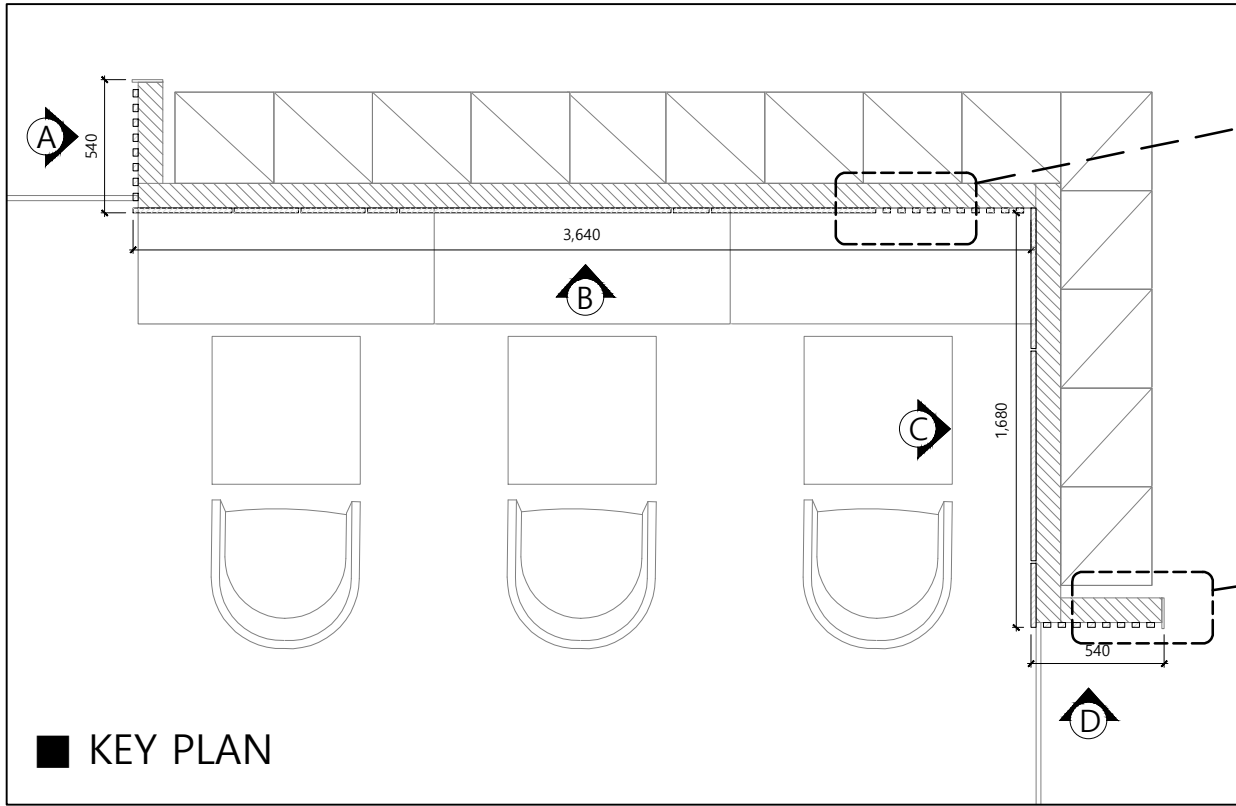
PROJECT NO.

DRAWING NO.
P-001

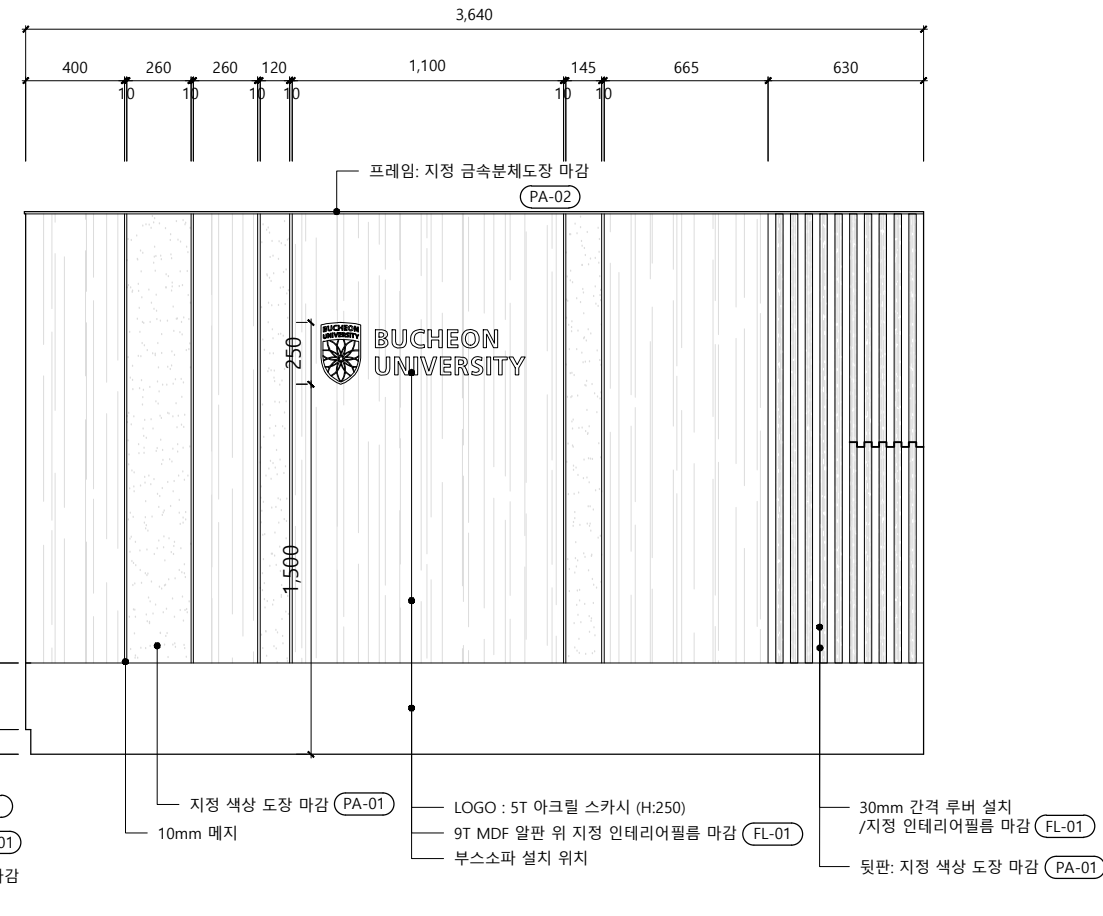
SHEET NO.
003



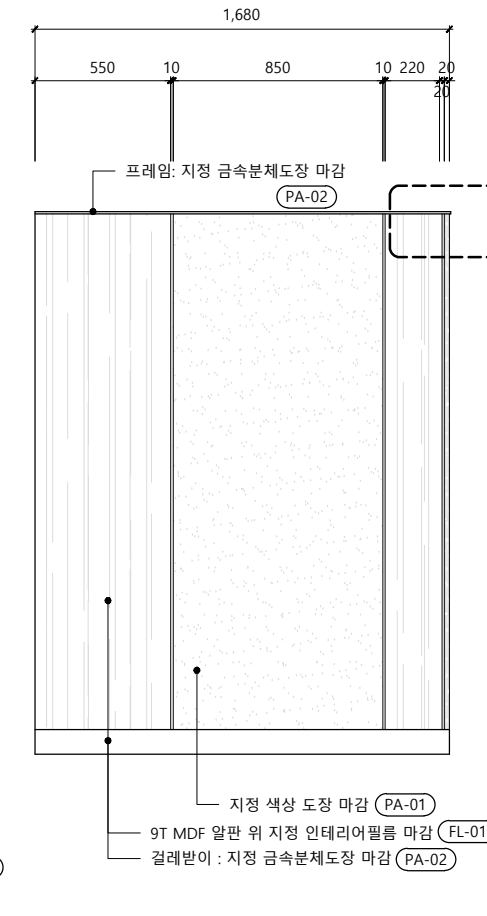
1 7F FLOOR PLAN
scale 1:80



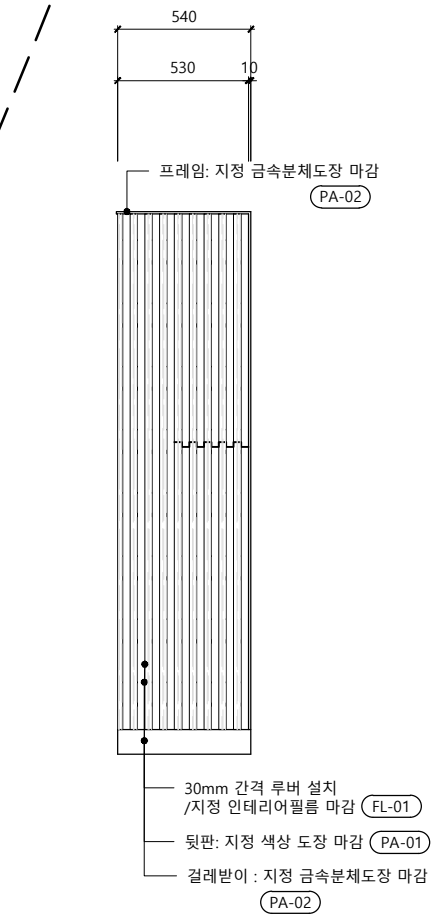
ELEVATION - A



ELEVATION - B



ELEVATION - C

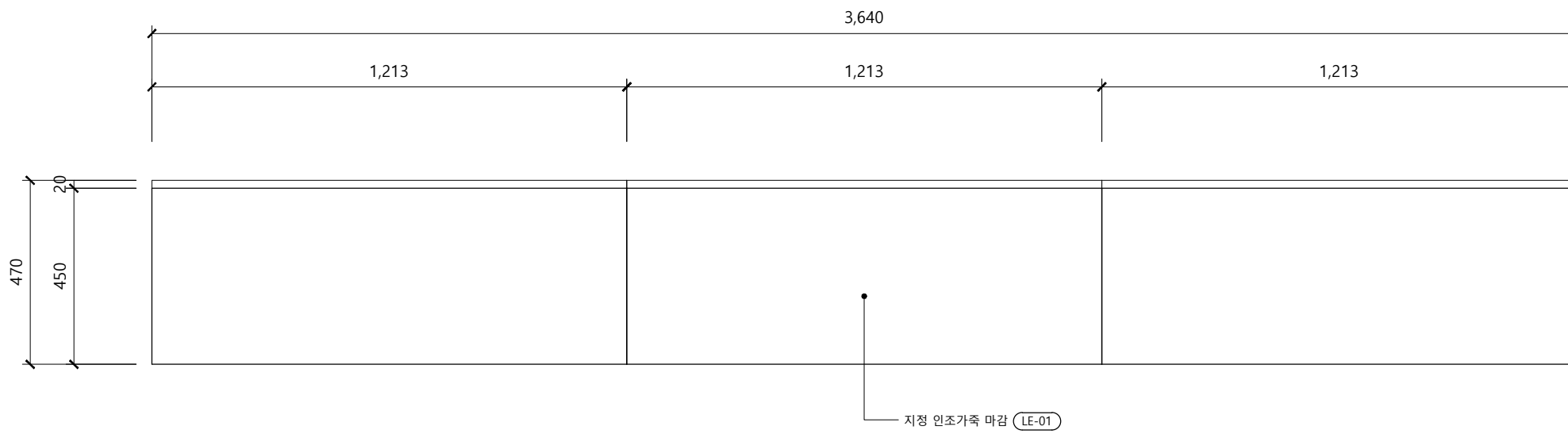


ELEVATION - D

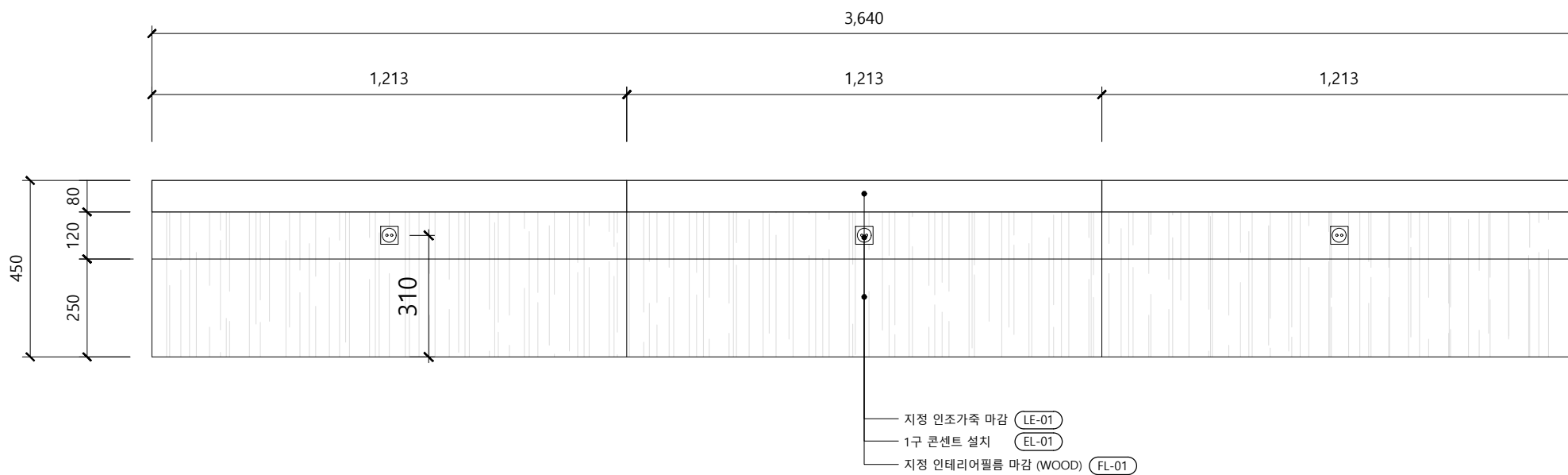
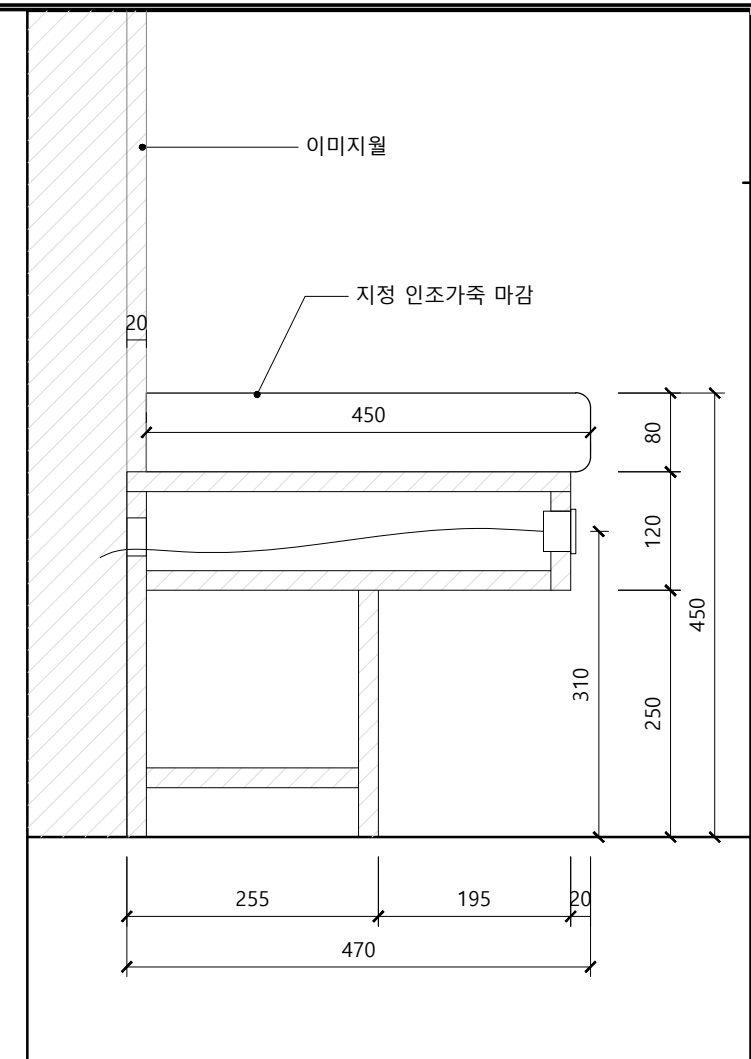
DRAWN BY
 CHECKED BY
 APPROVED BY



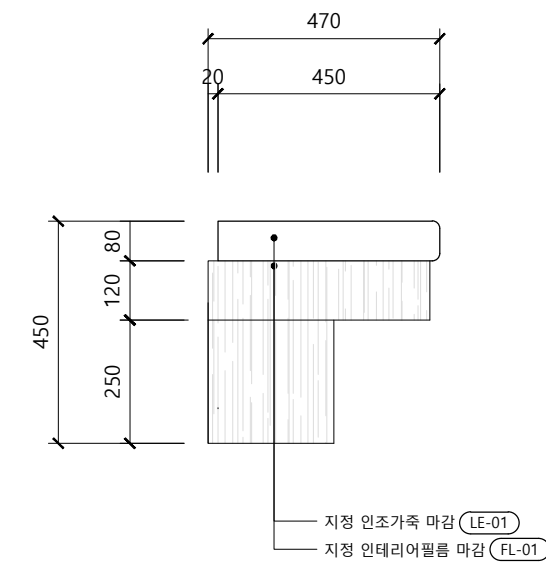
DRAWING NAME
**10F, 11F
 이미지월 상세도**
 SCALE 1/30
 DATE 2021.06
 PROJECT NO.
 DRAWING NO. P-002
 SHEET NO. 004



TOP VIEW
SCALE : 1/15



FRONT VIEW
SCALE : 1/15



SIDE VIEW
SCALE : 1/15

PROJECT TITLE

부천대학교
소사캠퍼스 라운지

DRAWN BY
CHECKED BY
APPROVED BY



DRAWING NAME
10F, 11F
이미지월 부스소파

SCALE
1/15

DATE
2021.06

PROJECT NO.

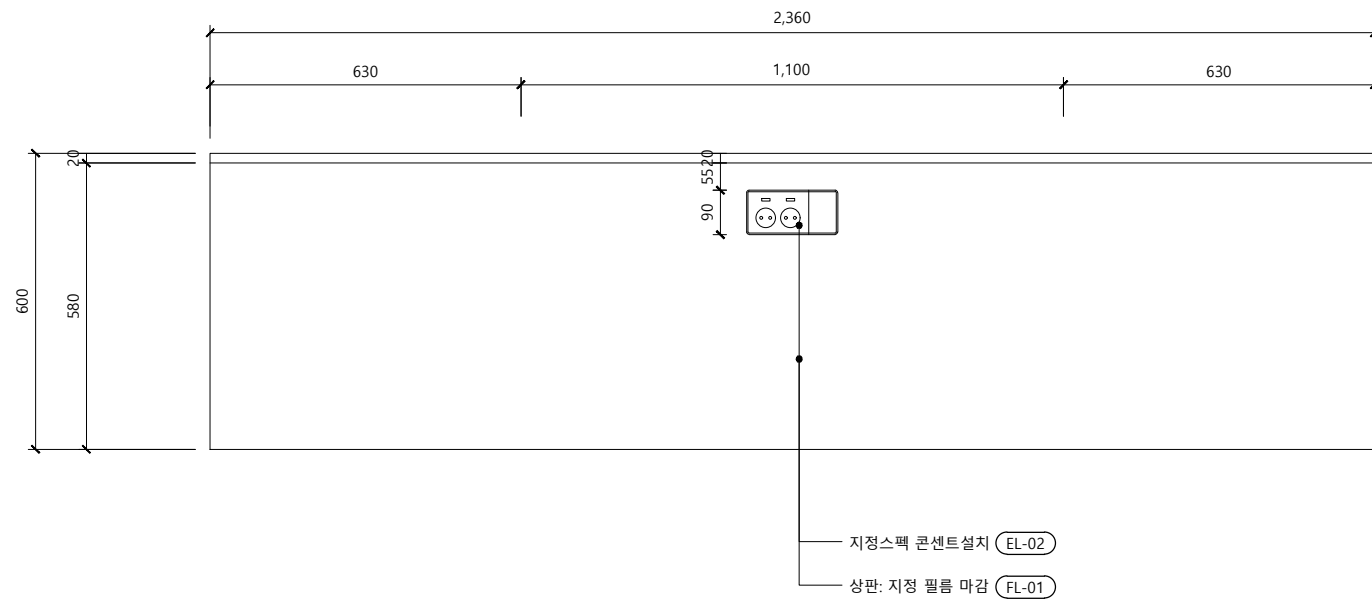
DRAWING NO.
P-003

SHEET NO.
005

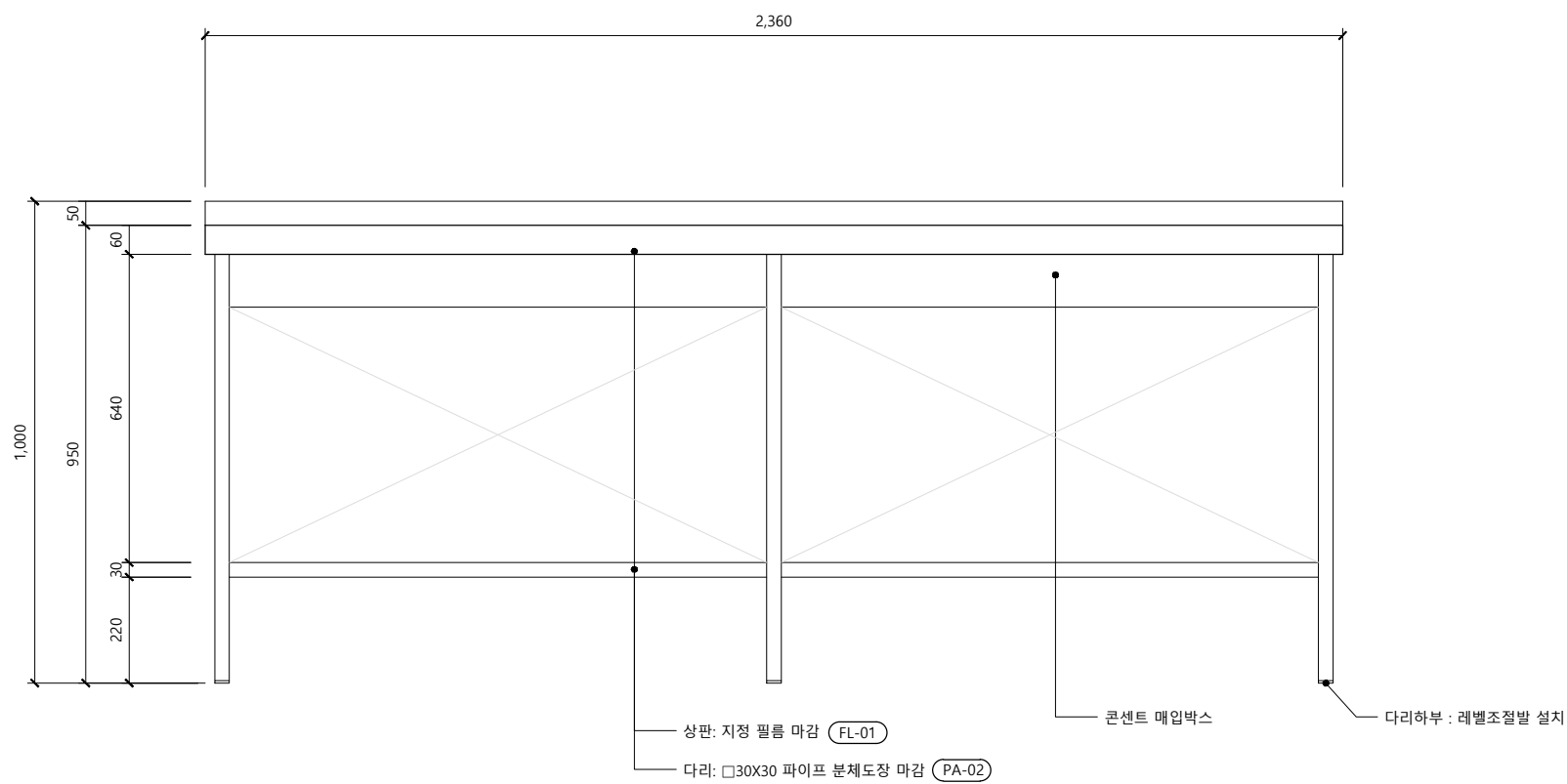
수량: 4EA



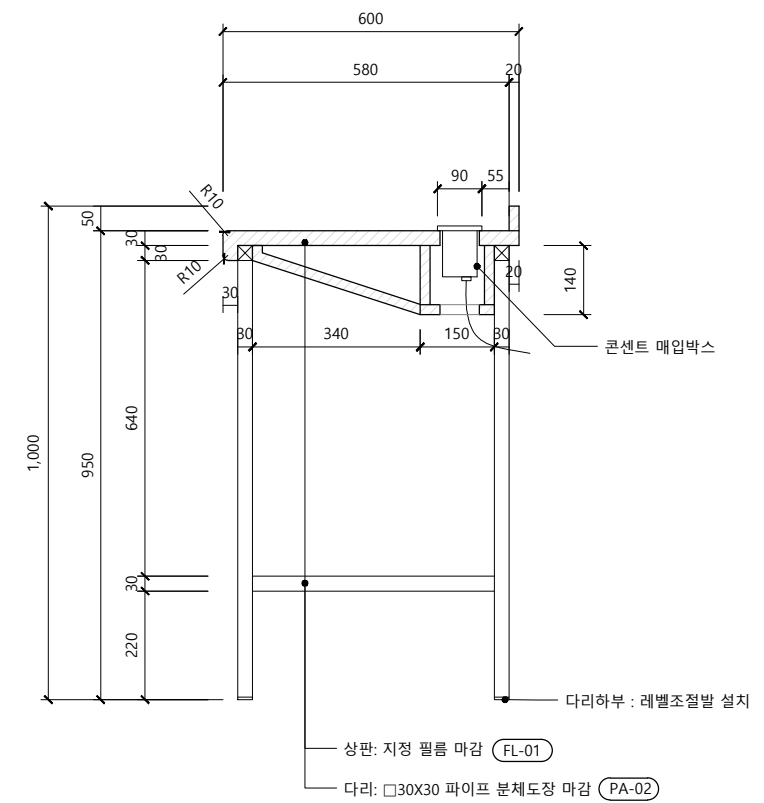
■ 무선충전 콘센트 스펙



TOP VIEW
SCALE : 1/15



FRONT VIEW
SCALE : 1/15



SIDE SECTION
SCALE : 1/15

PROJECT TITLE

부천대학교
소사캠퍼스 라운지

DRAWN BY
CHECKED BY
APPROVED BY



DRAWING NAME
10F, 11F
바테이블

SCALE
1/15

DATE
2021.06

PROJECT NO.

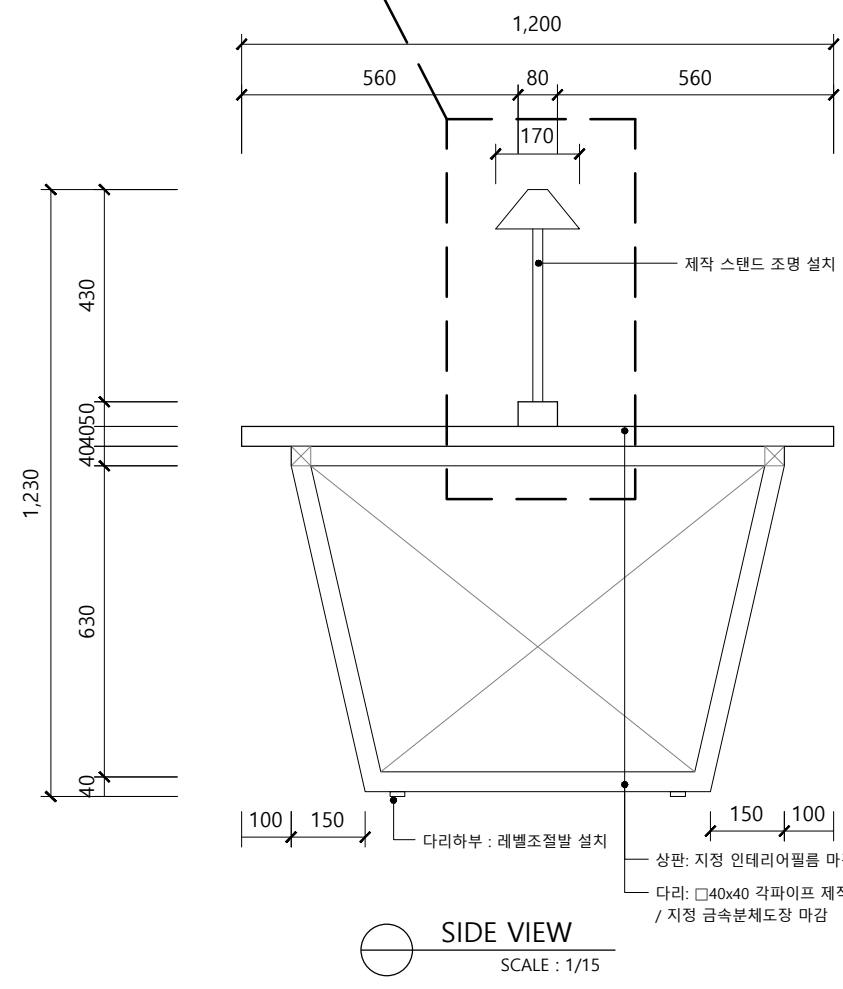
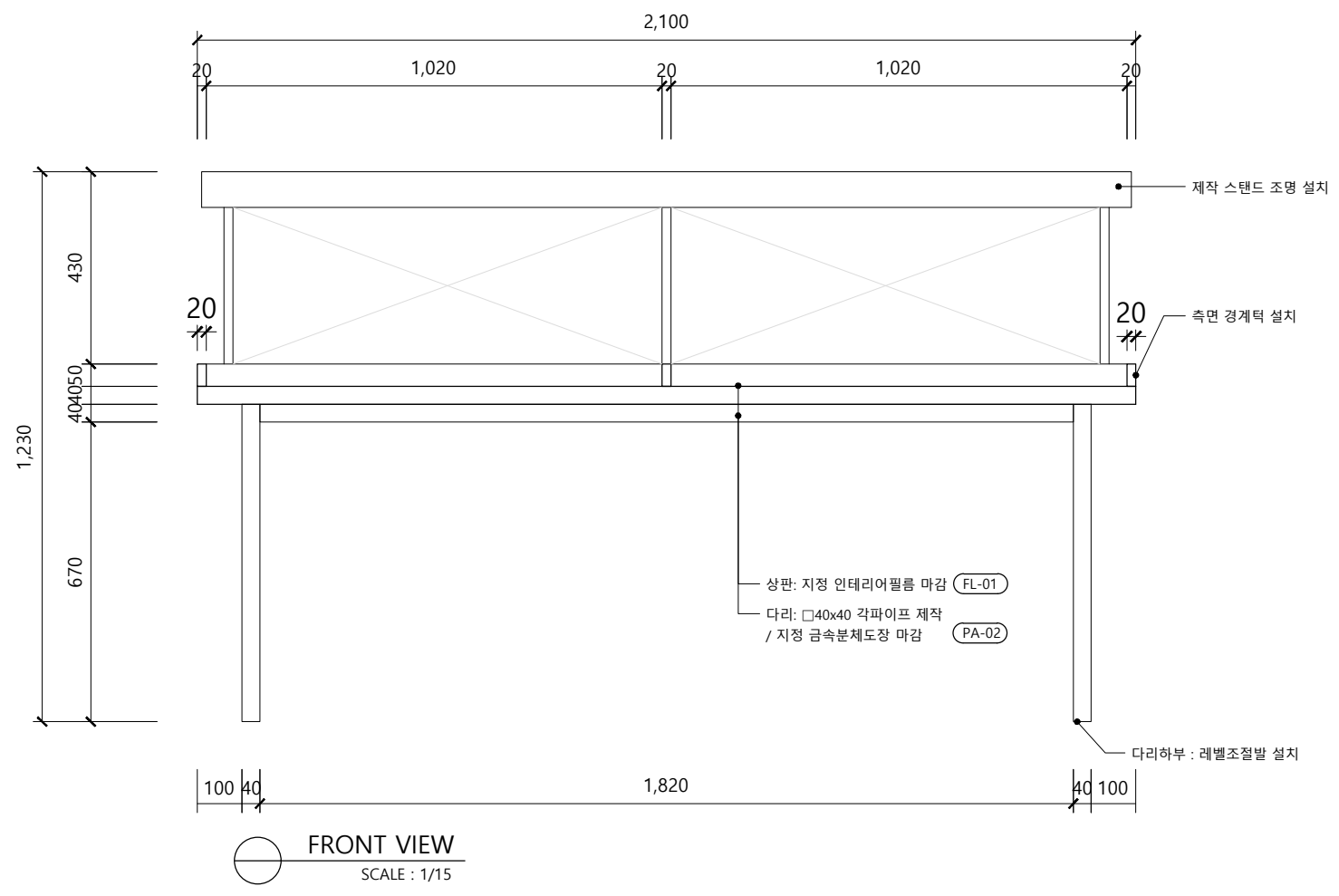
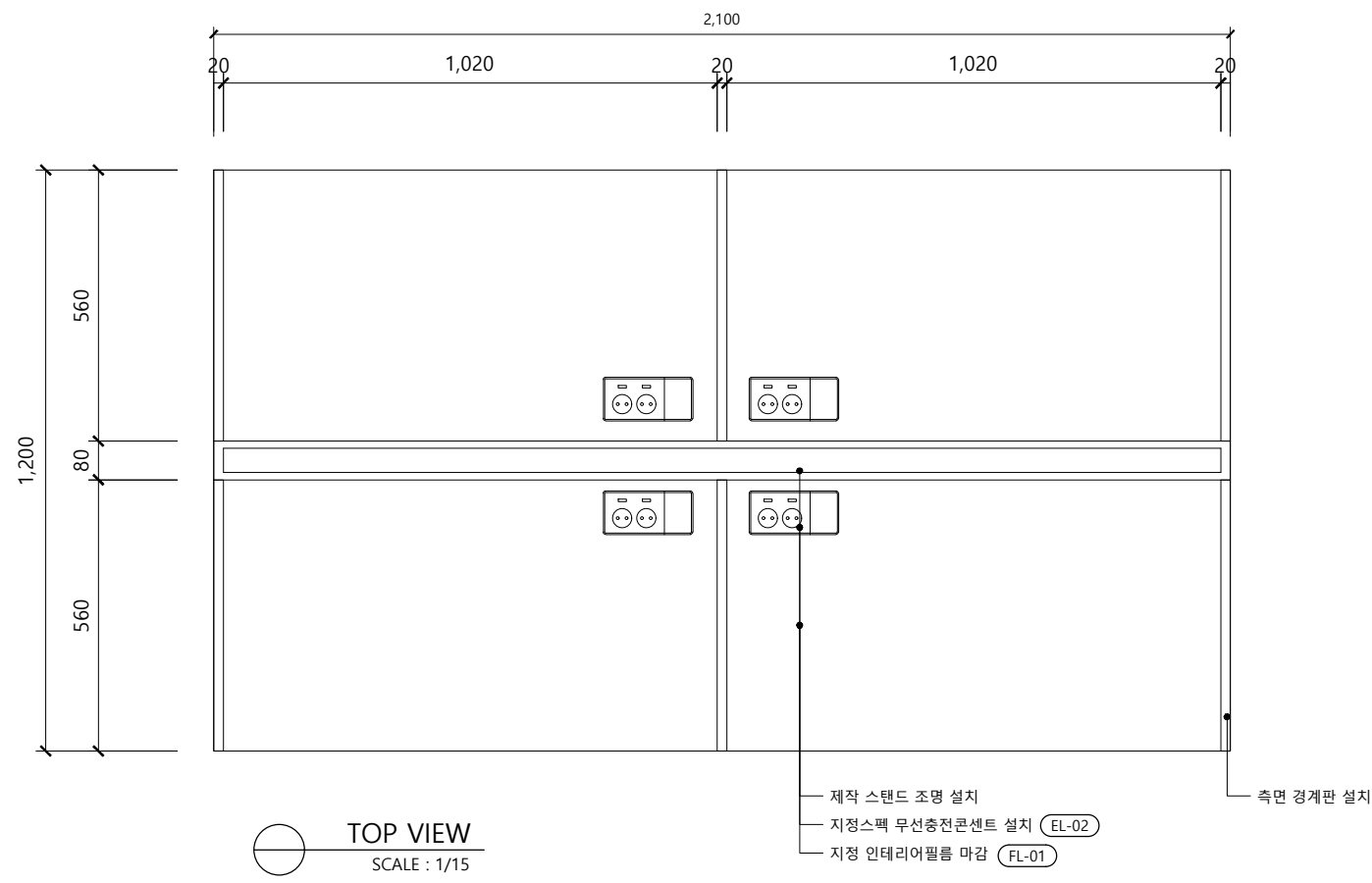
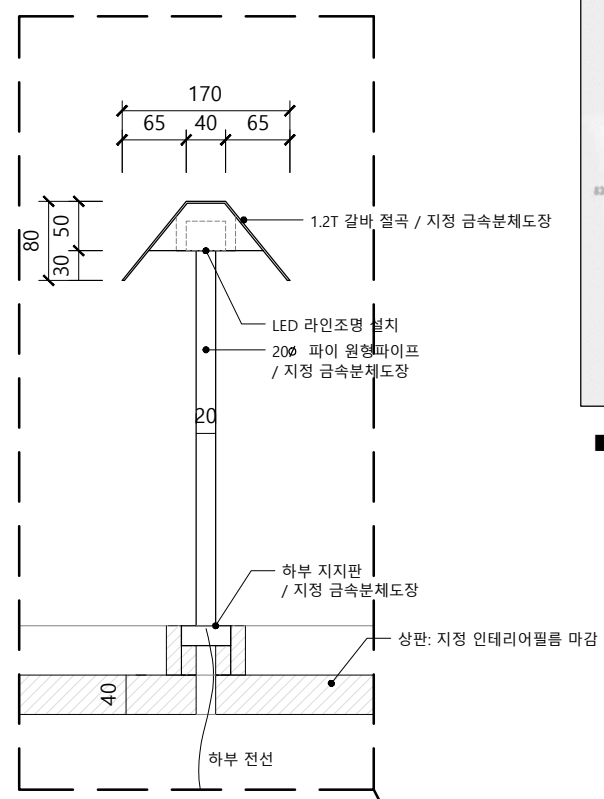
DRAWING NO.
P-004

SHEET NO.
006



■ 무선충전 콘센트 스펙

■ 제작 스탠드 조명 디테일



DRAWN BY
CHECKED BY
APPROVED BY



DRAWING NAME
10F, 11F
빅테이블

SCALE
1/15

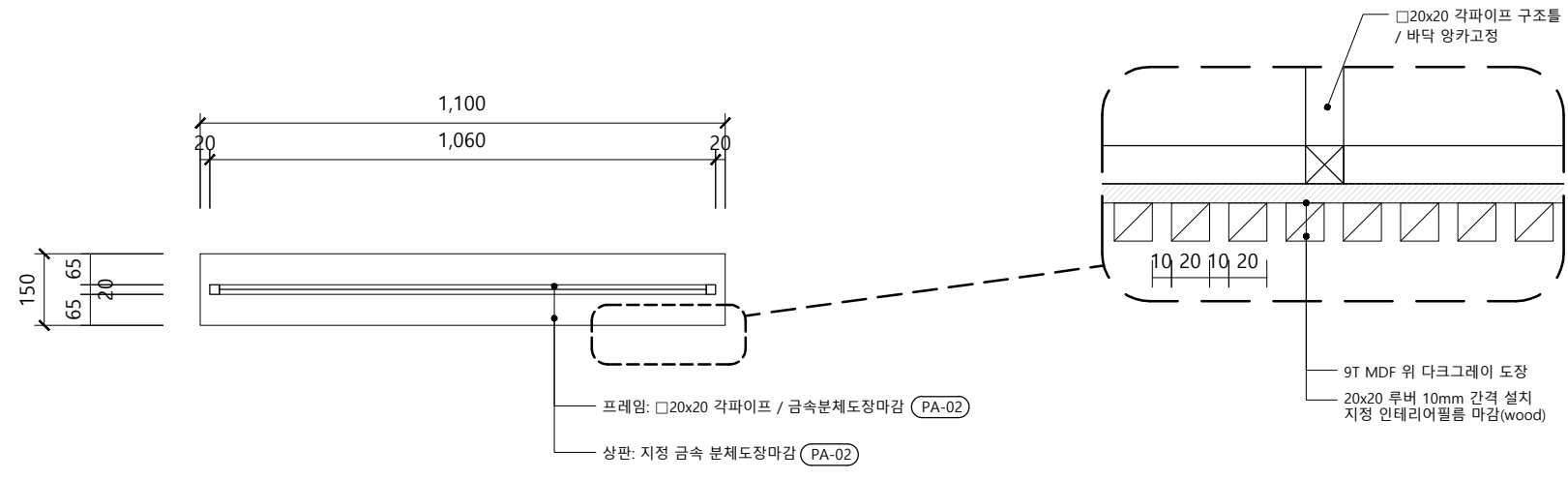
DATE
2021.06

PROJECT NO.

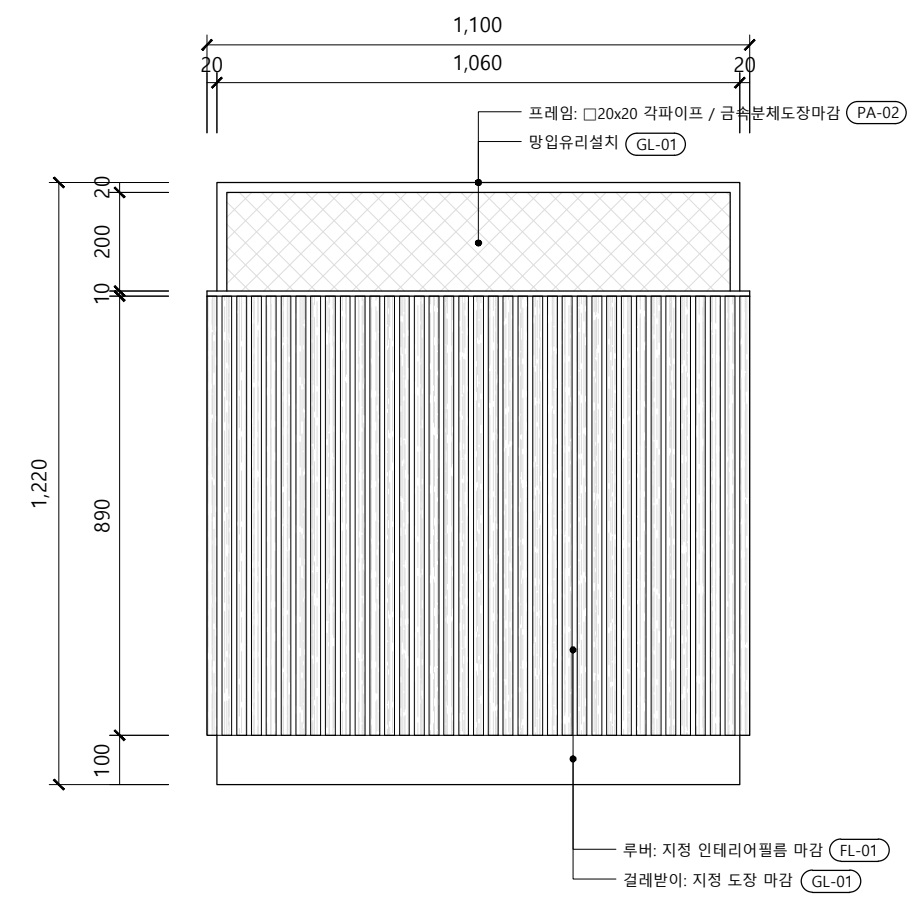
DRAWING NO.
P-005

SHEET NO.
007

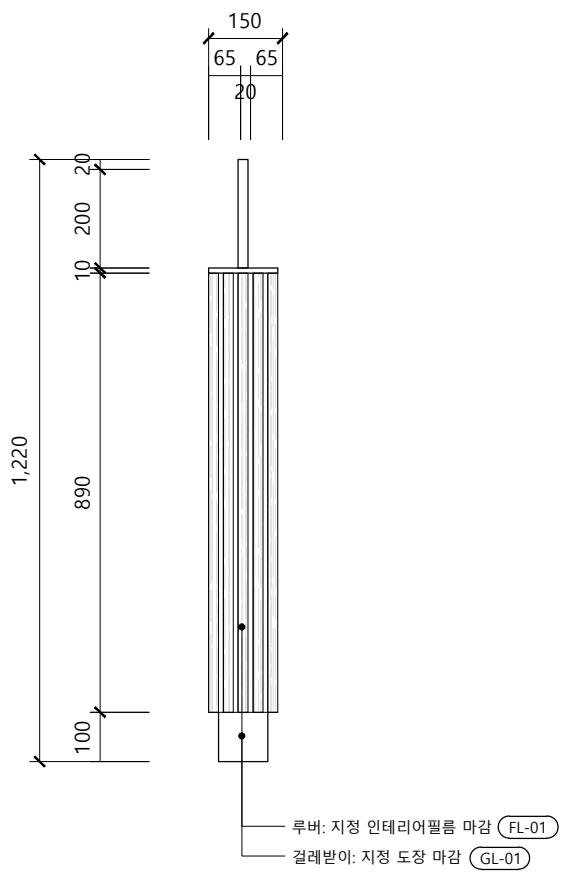
수량: W1100 - 4EA



TOP VIEW
SCALE : 1/15

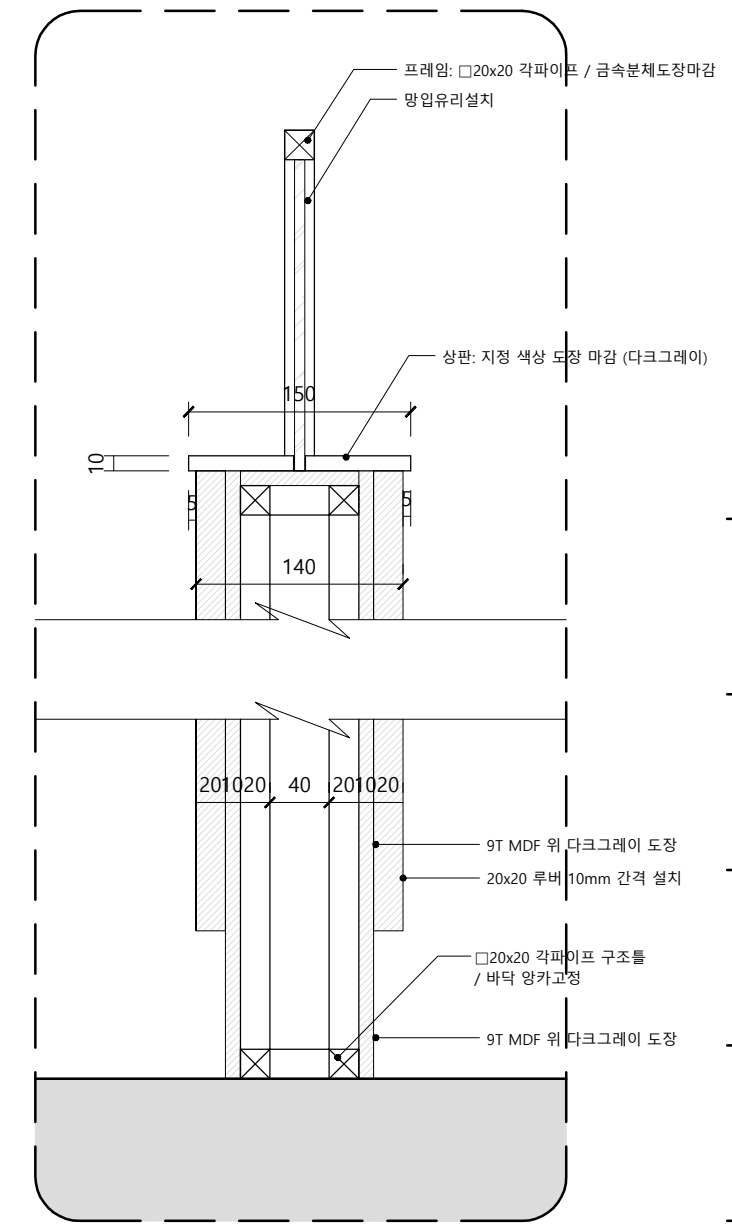


FRONT VIEW
SCALE : 1/15



SIDE VIEW
SCALE : 1/15

■ 파티션 단면도



PROJECT TITLE

부천대학교
소사캠퍼스 라운지

DRAWN BY
CHECKED BY
APPROVED BY



DRAWING NAME
10F, 11F
파티션

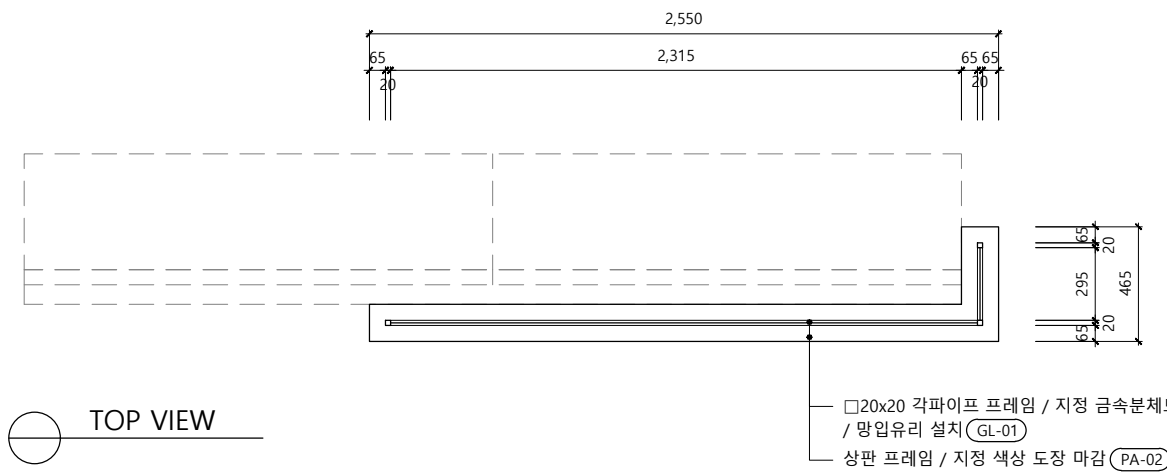
SCALE
1/15

DATE
2021.06

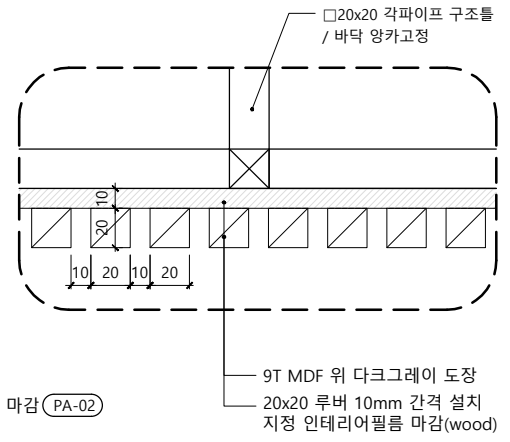
PROJECT NO.

DRAWING NO.
P-006

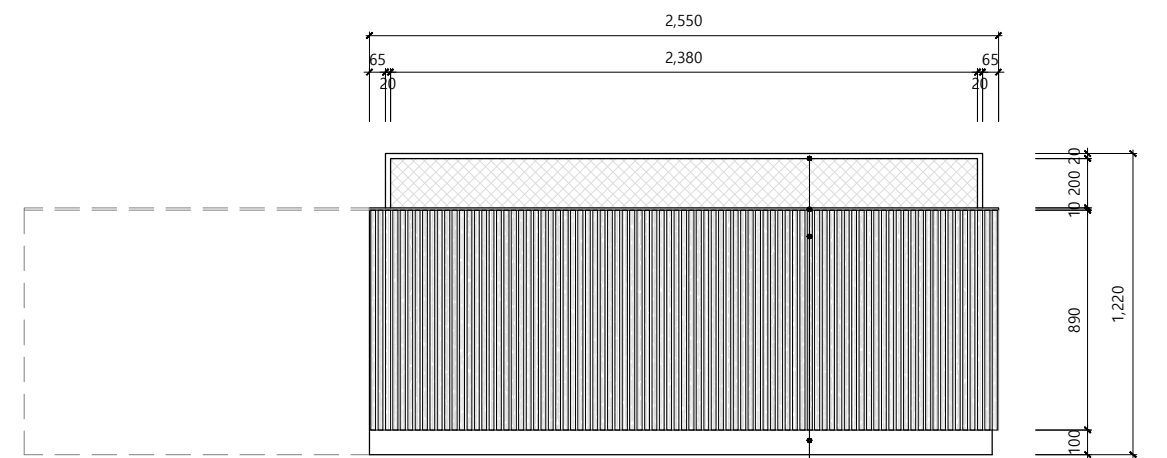
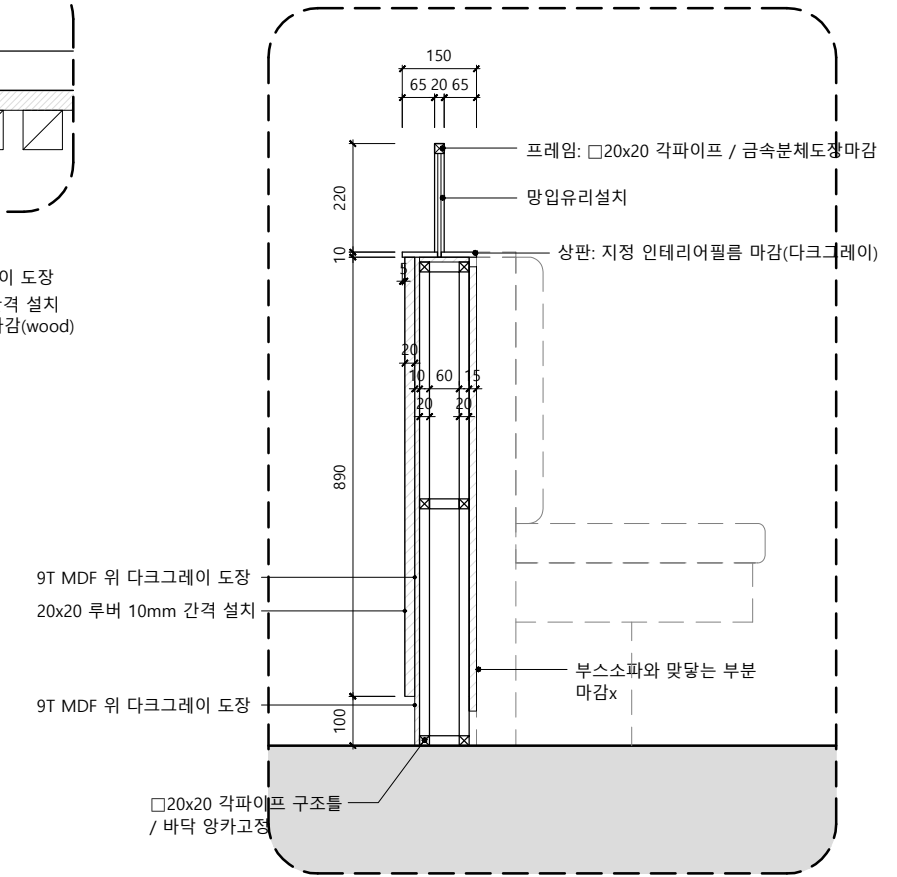
SHEET NO.
008



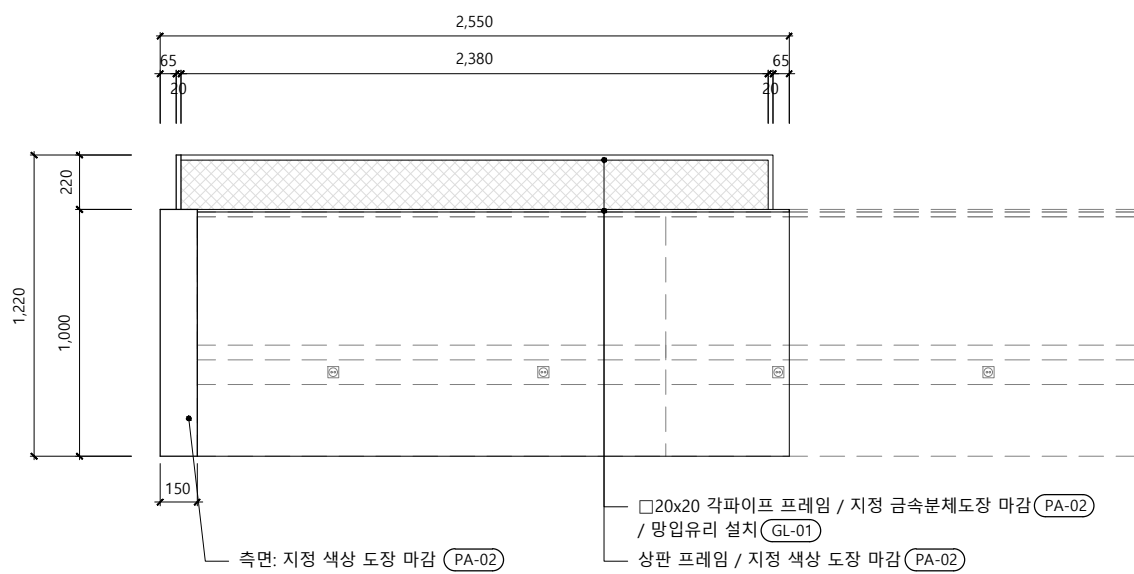
TOP VIEW



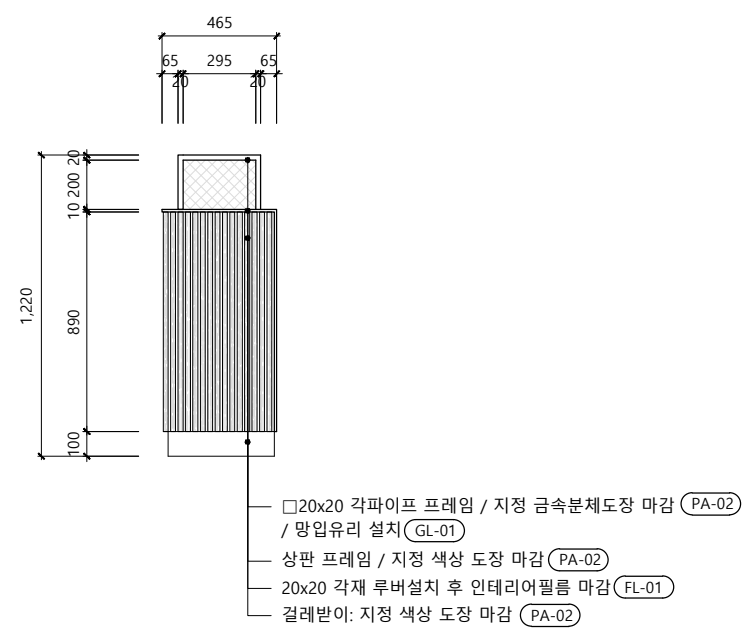
■ 부스소파 단면도



FRONT VIEW



REAR VIEW



SIDE VIEW

△6	
△5	
△4	
△3	
△2	
△1	

DRAWN BY
CHECKED BY
APPROVED BY



DRAWING NAME
10F, 11F
부스소파 (파티션)

SCALE 1/30

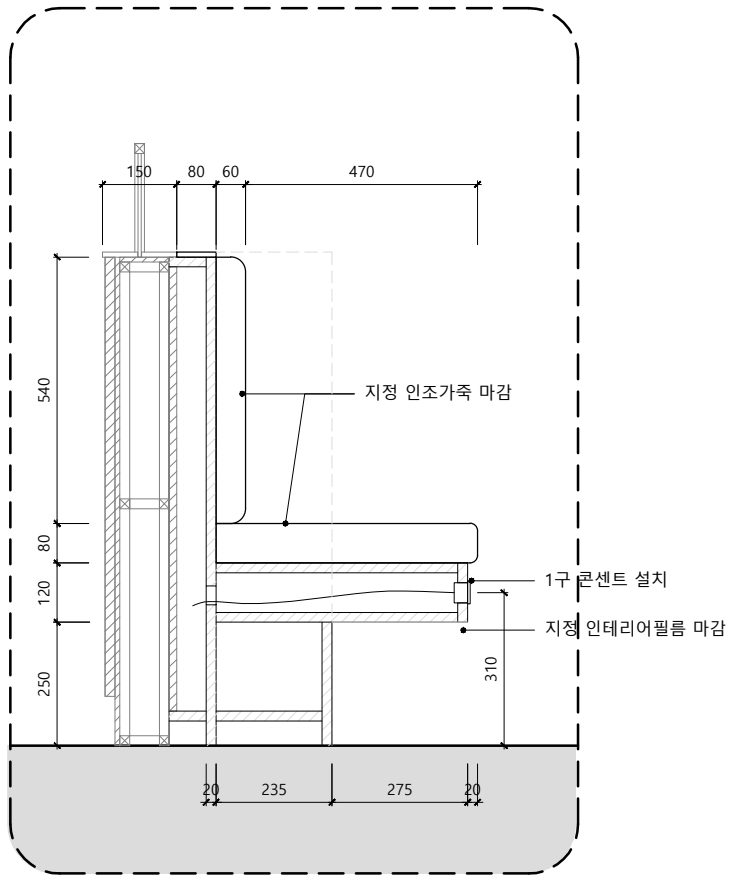
DATE 2021.06

PROJECT NO.

DRAWING NO. P-007

SHEET NO. 009

부스소파 단면도



DRAWN BY
CHECKED BY
APPROVED BY



DRAWING NAME
10F, 11F
부스소파

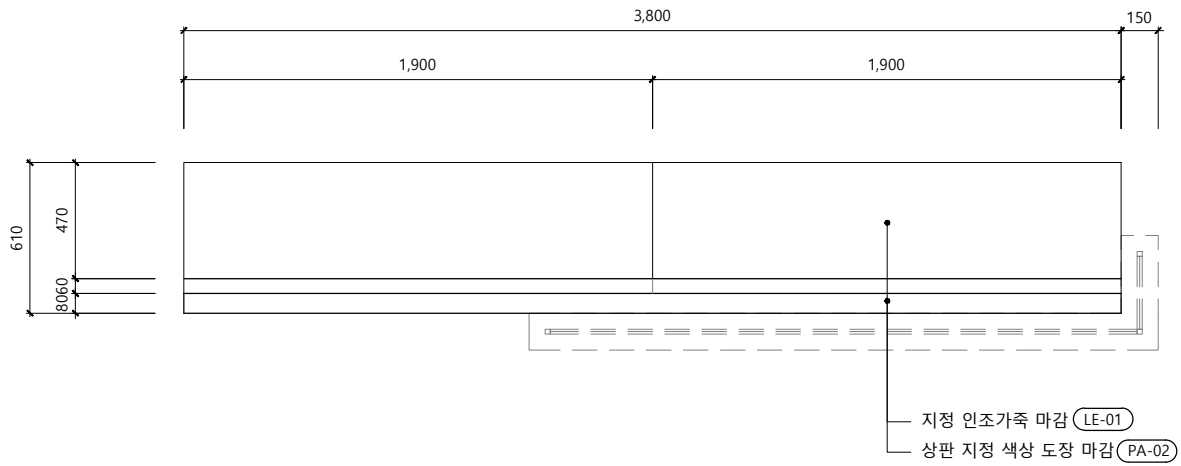
SCALE
1/30

DATE
2021.06

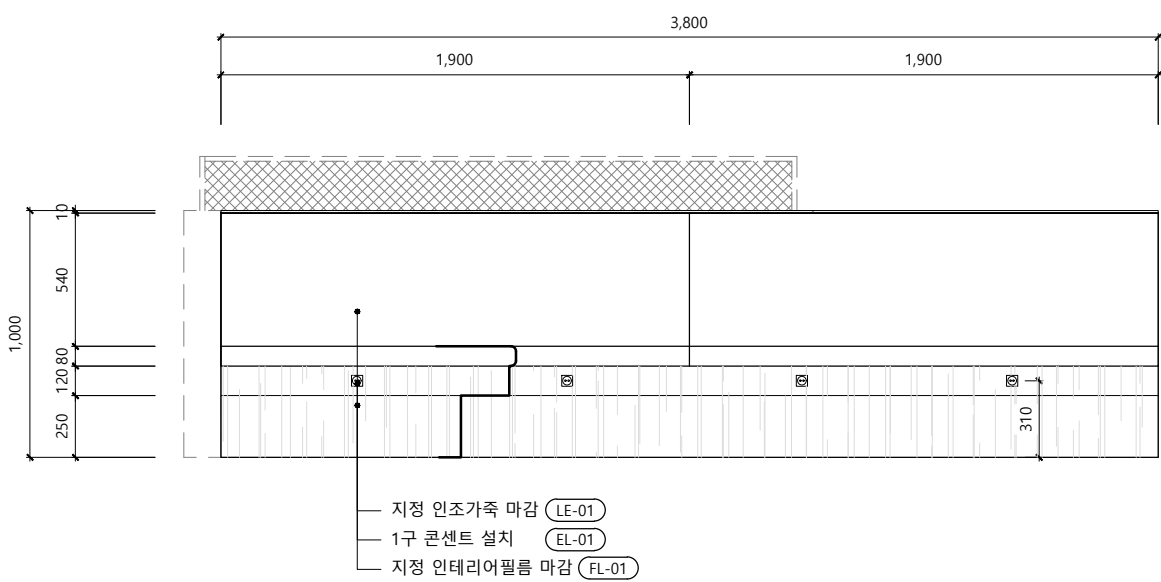
PROJECT NO.

DRAWING NO.
P-008

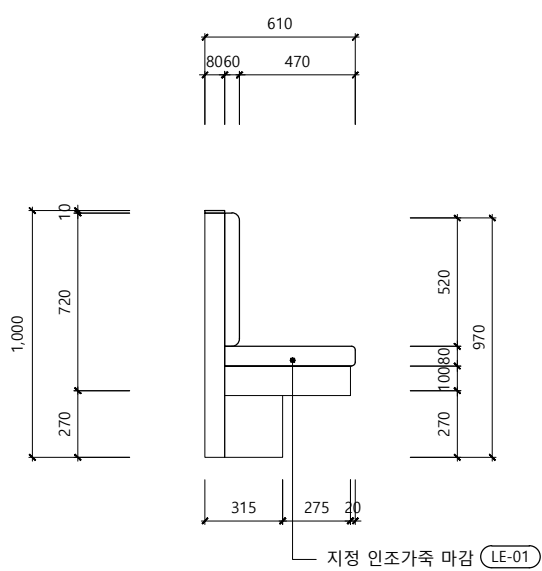
SHEET NO.
010



TOP VIEW

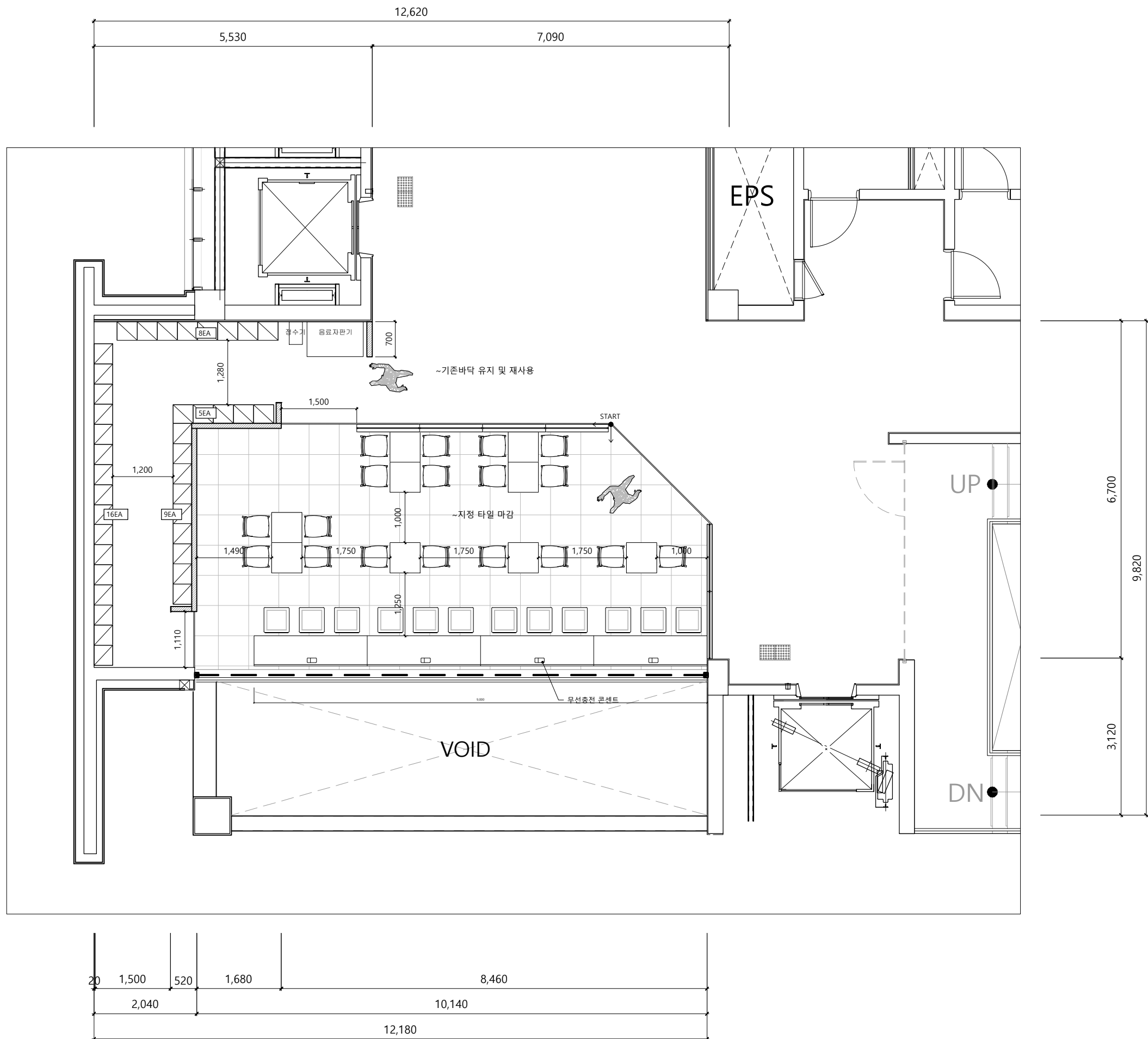


REAR VIEW



SIDE VIEW

8층 4단락가 : 38EA
 총 : 152칸



DRAWN BY
 CHECKED BY
 APPROVED BY



DRAWING NAME	
10F FLOOR PLAN	
SCALE	1/80
DATE	2021.06
PROJECT NO.	
DRAWING NO.	P-009
SHEET NO.	011

1 **8F FLOOR PLAN**
 scale 1:80

DRAWN BY
CHECKED BY
APPROVED BY



DRAWING NAME

10F CEILING PLAN

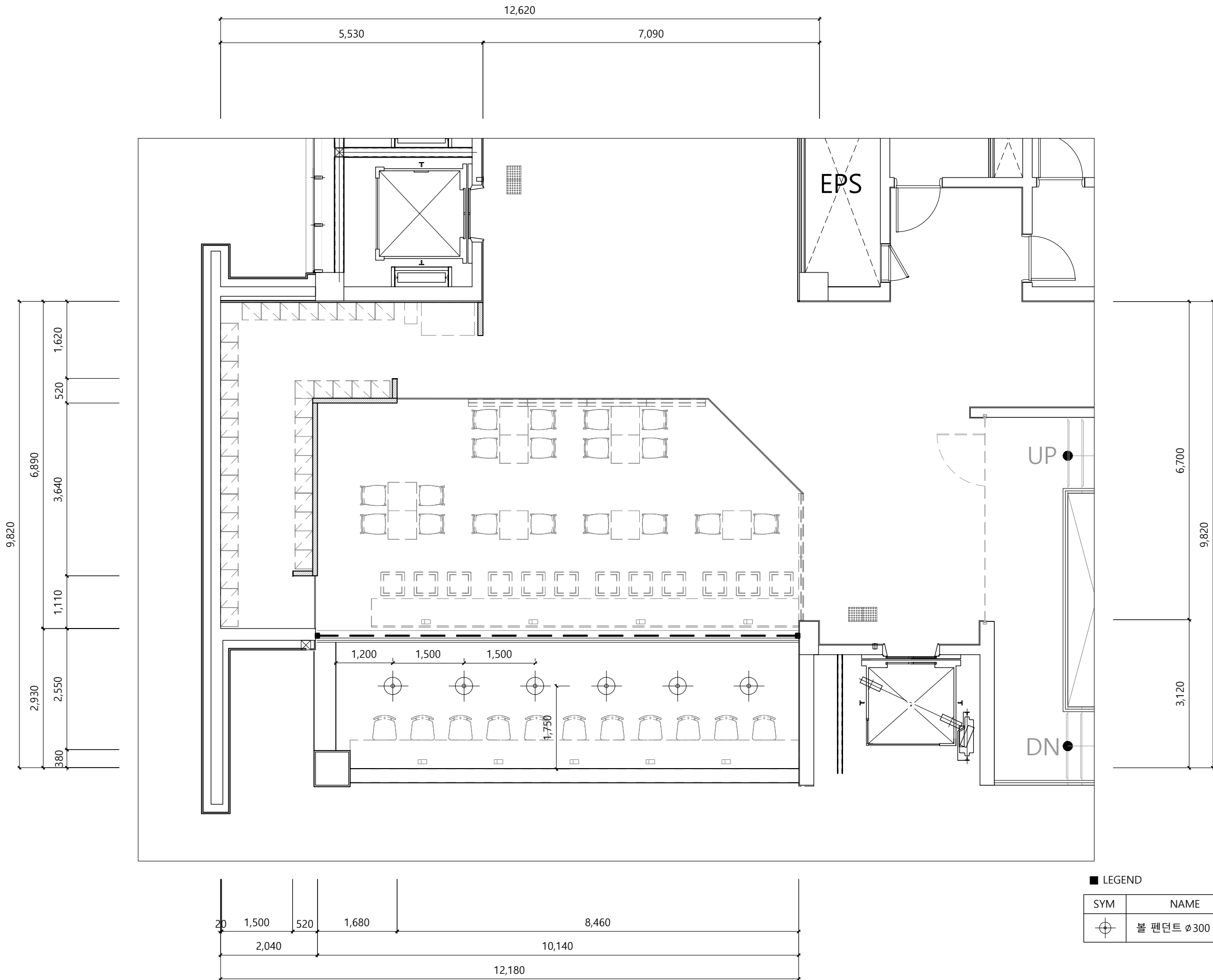
SCALE 1/80

DATE 2021.06

PROJECT NO.

DRAWING NO. P-010

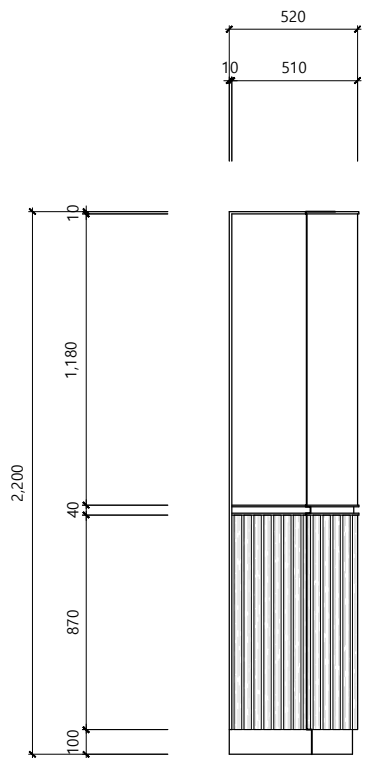
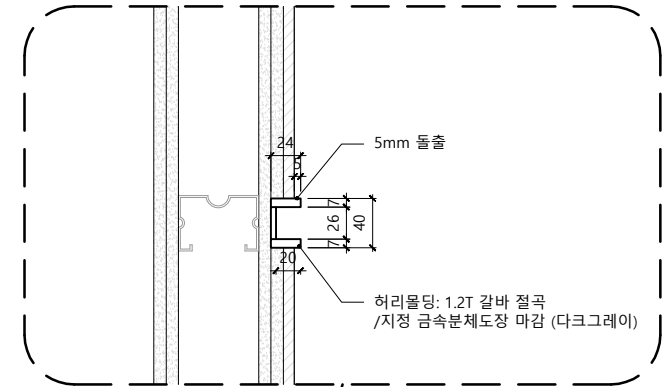
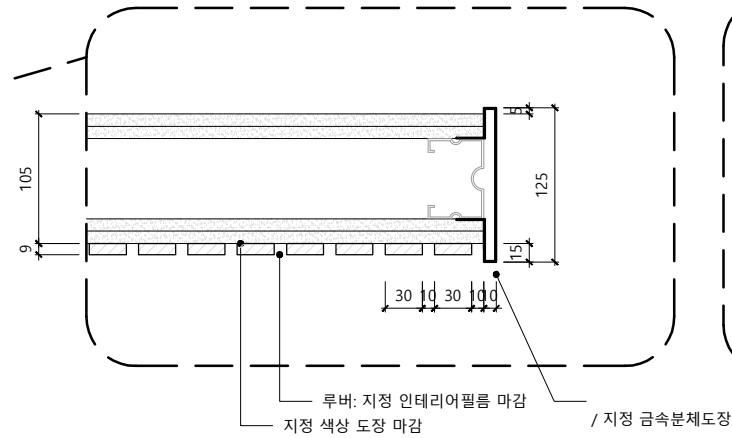
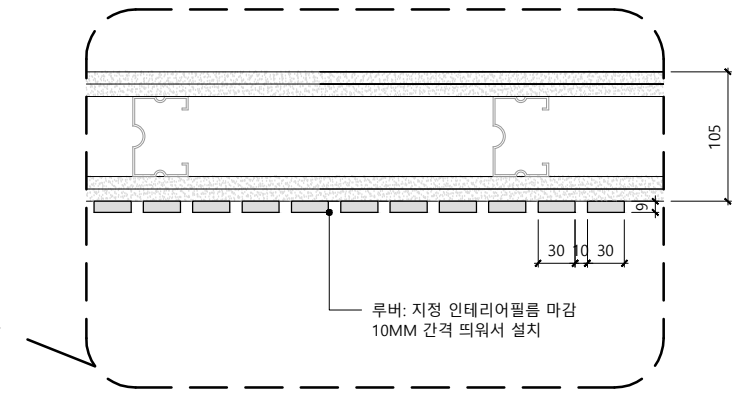
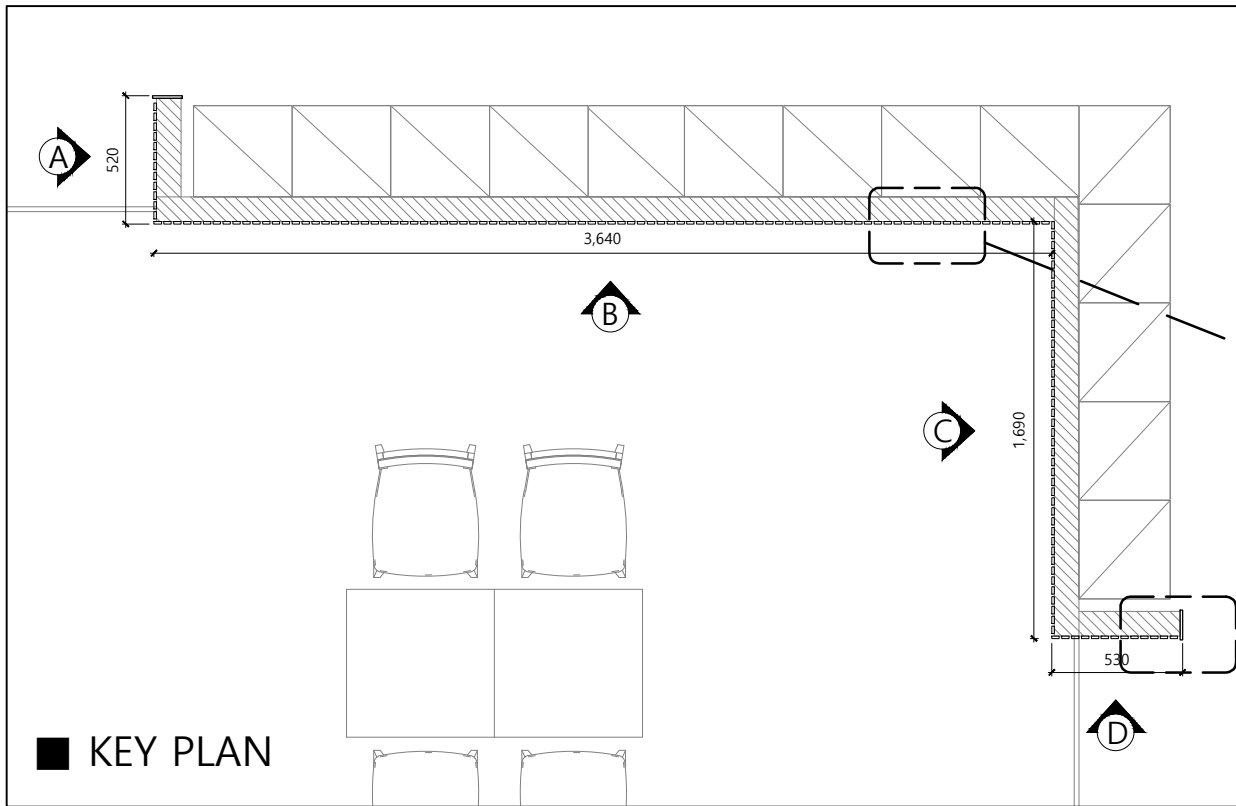
SHEET NO. 012



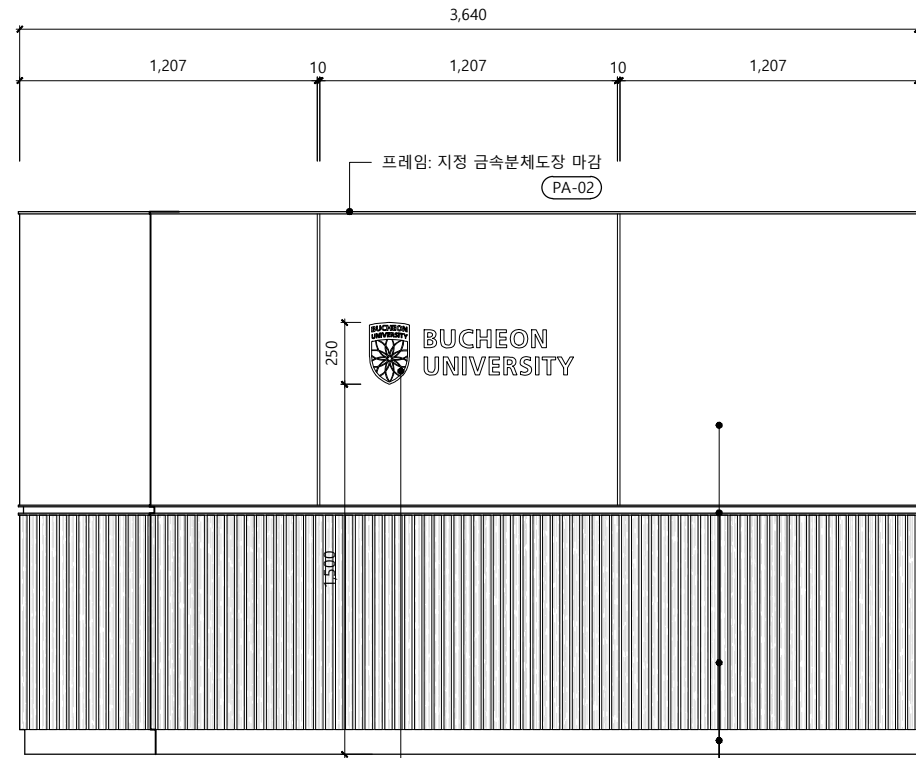
LEGEND

SYM	NAME	EA
⊕	볼 펜던트 ø300	6

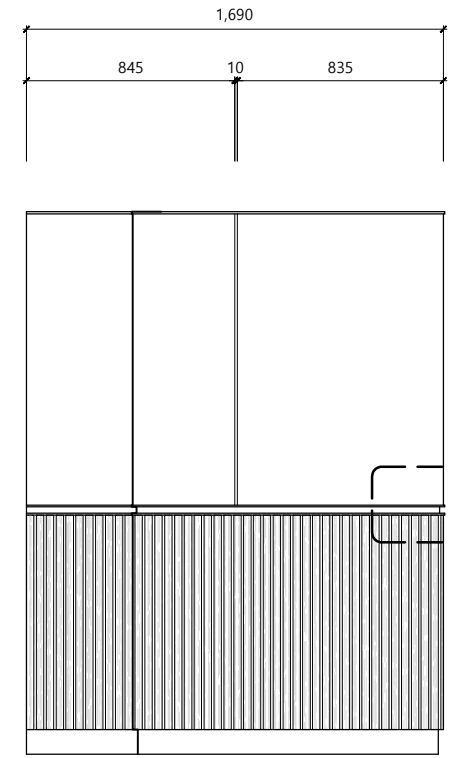
1 **8F CEILING PLAN**
scale 1:80



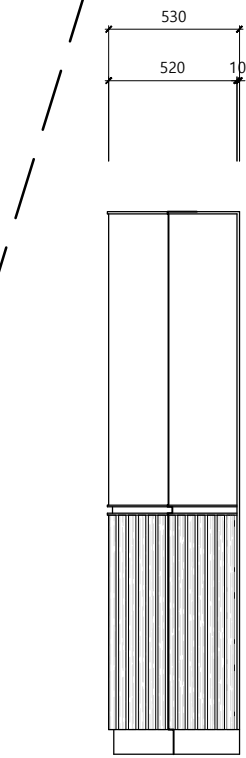
ELEVATION - A



ELEVATION - B



ELEVATION - C



ELEVATION - D

- 9T MDF 알판 위 지정 색상 도장마감 (PA-01)
- 지정 색상 도장마감 (PA-02)
- 10mm 간격 루버 설치 /지정 인테리어필름 마감 (FL-01)
- 걸레받이: 지정 금속분체도장 마감 (PA-02)

DRAWN BY
CHECKED BY
APPROVED BY



DRAWING NAME
10F ELEVATION 이미지월

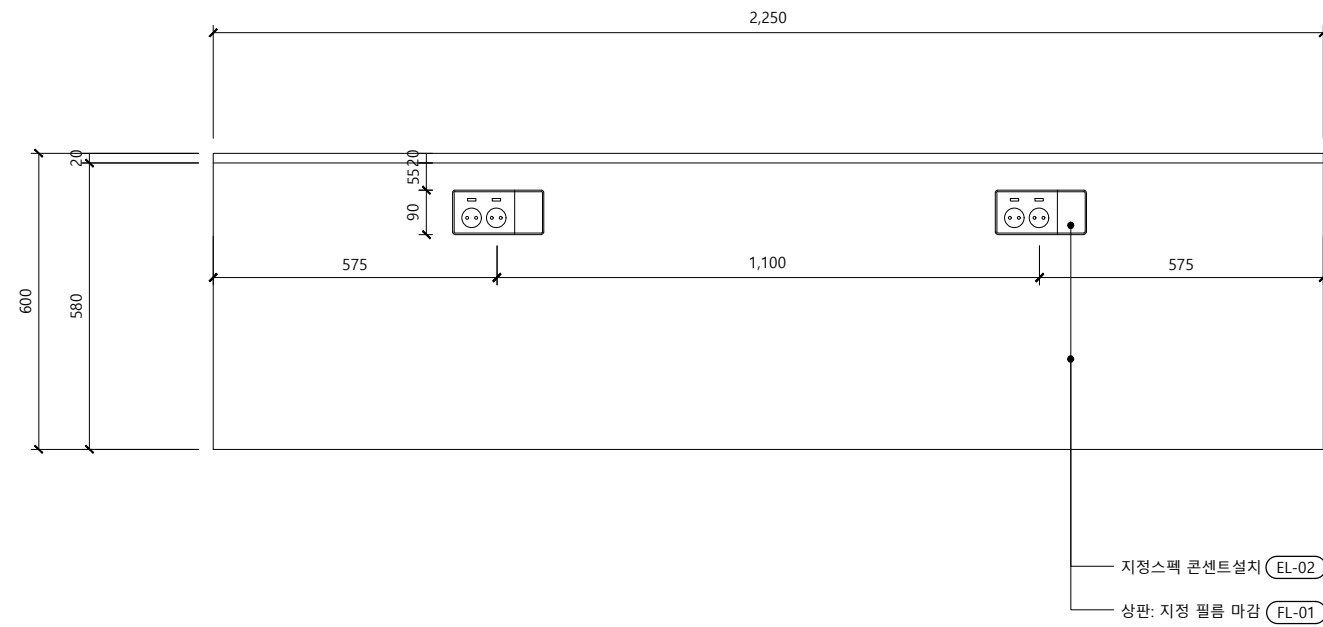
SCALE 1/30

DATE 2021.06

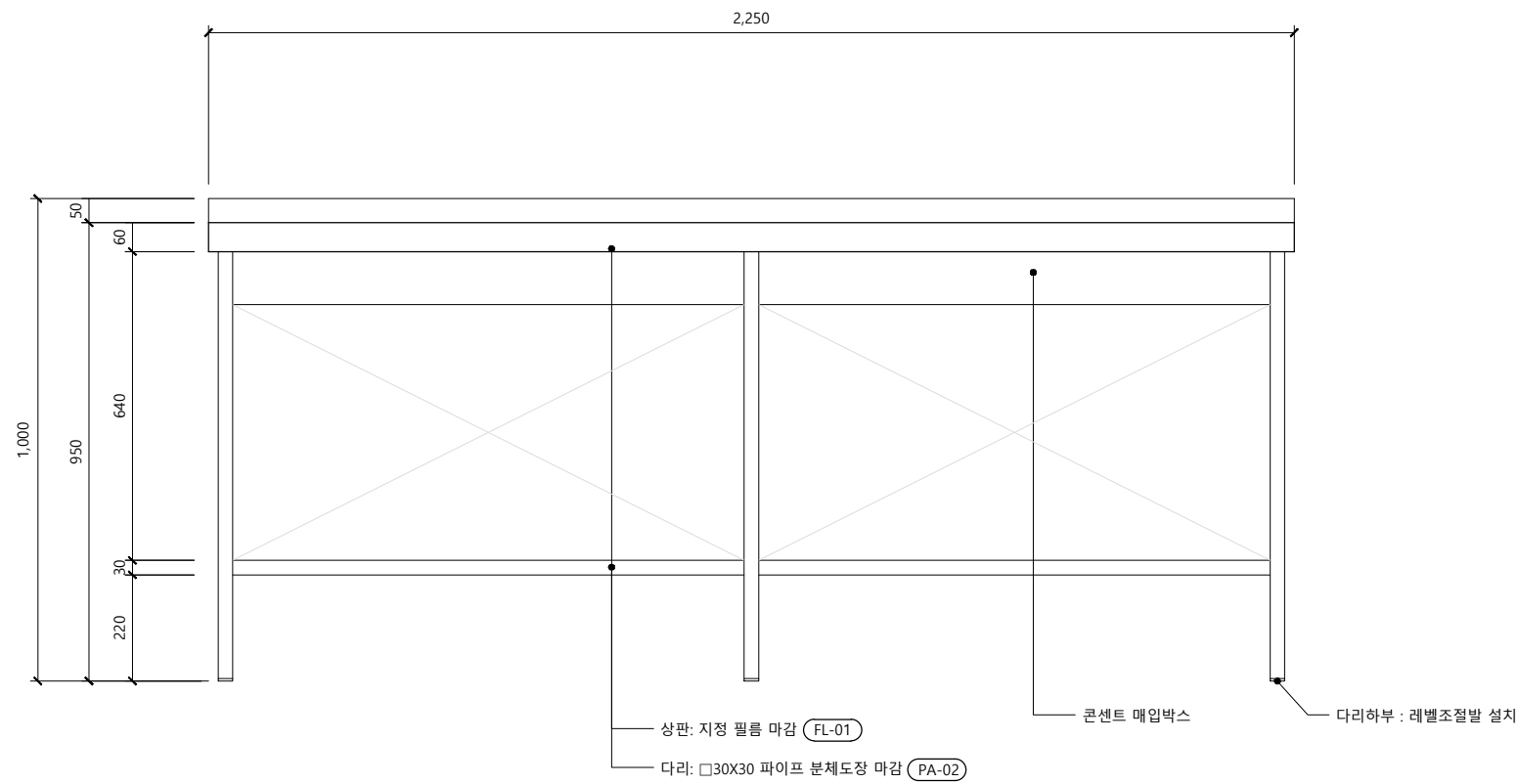
PROJECT NO.

DRAWING NO. P-011

SHEET NO. 013

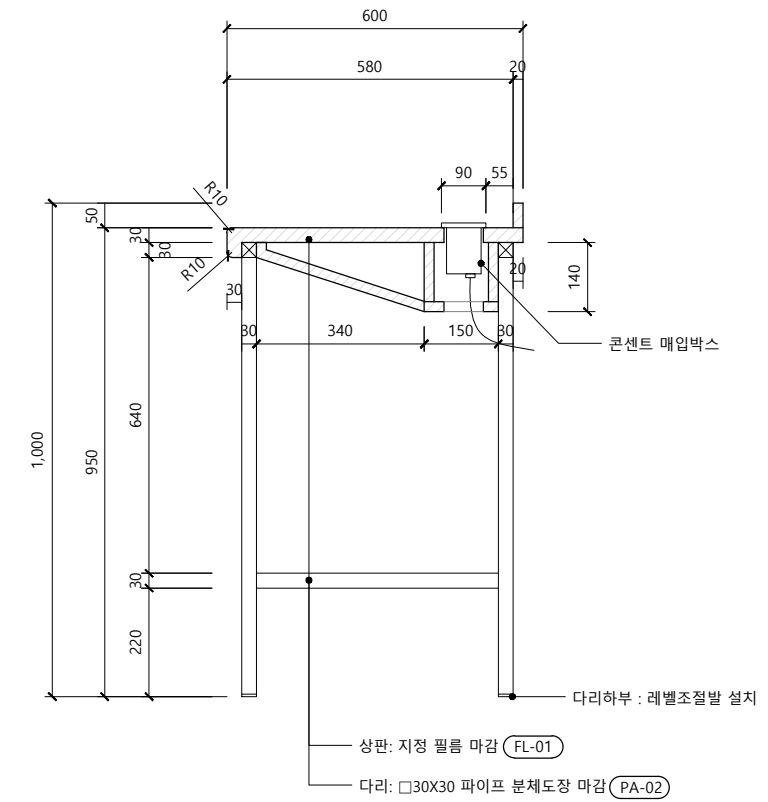


TOP VIEW
SCALE : 1/15



FRONT VIEW
SCALE : 1/15

■ 무선충전 콘센트 스펙



SIDE SECTION
SCALE : 1/15

DRAWN BY
CHECKED BY
APPROVED BY



DRAWING NAME
10F 바테이블

SCALE
1/15

DATE
2021.06

PROJECT NO.

DRAWING NO.
P-012

SHEET NO.
014

